

Peter Pepper Products, Inc.

Evolution Installation Instructions

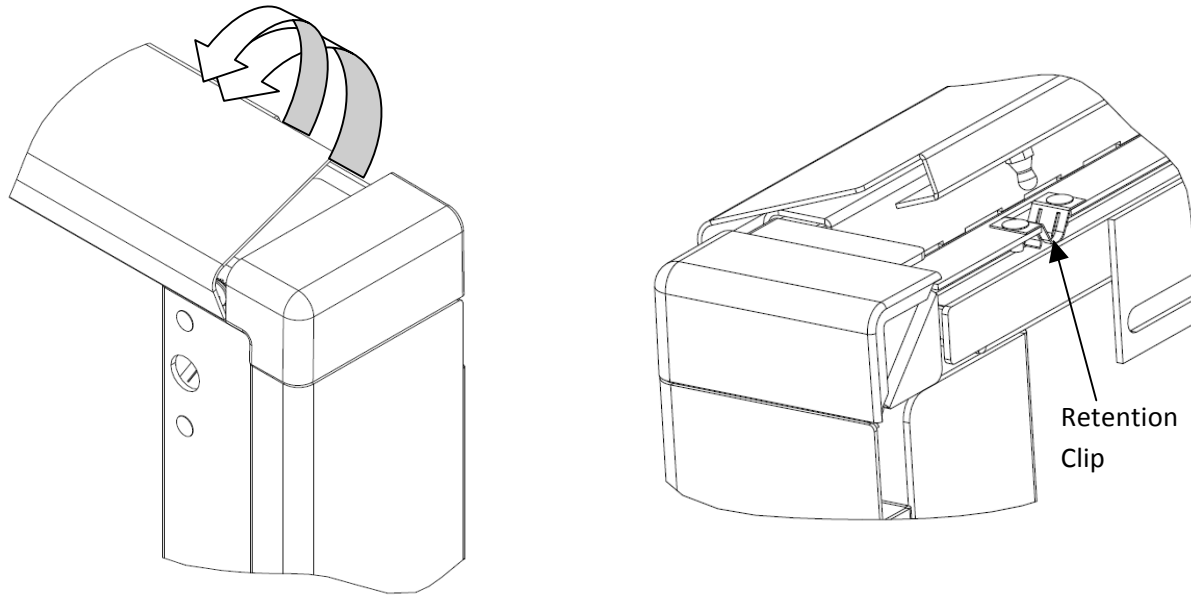
A Modular Wall System

Table of Contents

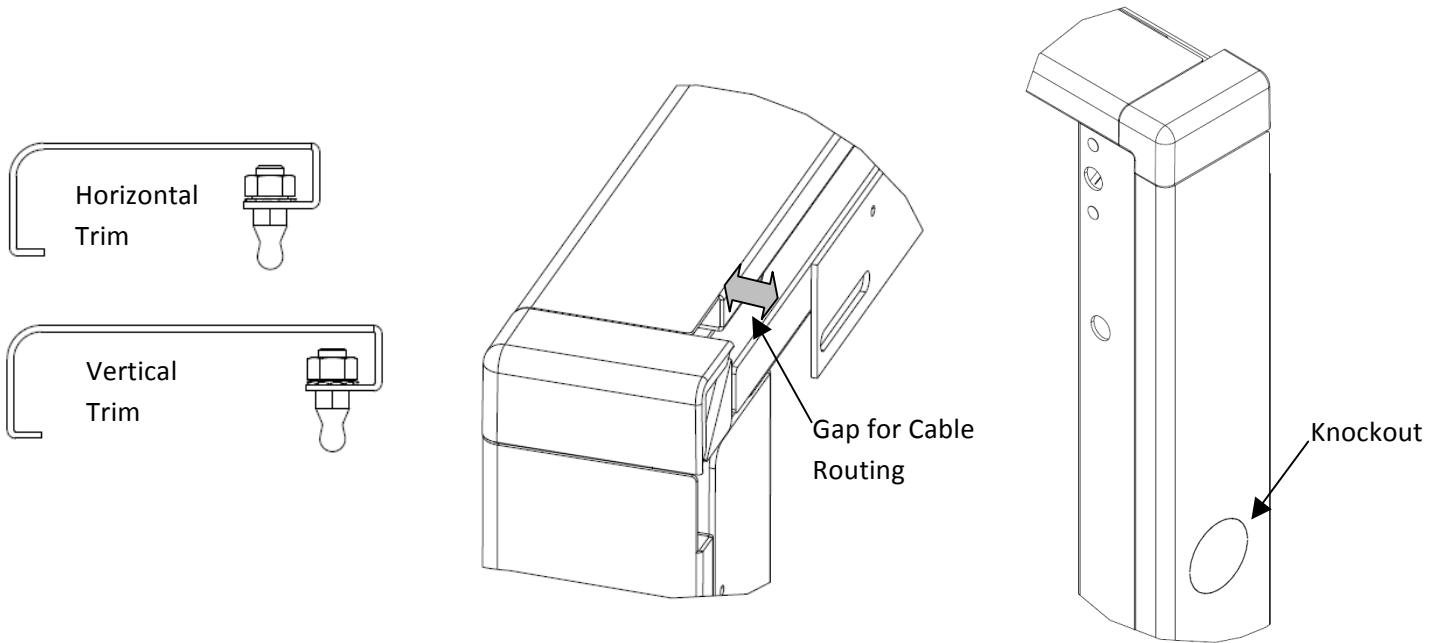
Trim Details.....	3
Frame Description & Details.....	4
Evolution Frame Installation Instructions.....	6
Evolution Stud Mounted Tile Installation.....	8
Evolution Cleat Mounted Tile Installation.....	9
Shelf & Marker Tray Installation.....	11
Universal Brackets.....	12
Monitor Brackets.....	14
Tile Removal Tool.....	15

Trim Details

Frames are shipped with trim pieces installed. Remove trim pieces before mounting frames to wall. Pull up on back edge of trim to release from retention clips. Rotate up and slide off frame.

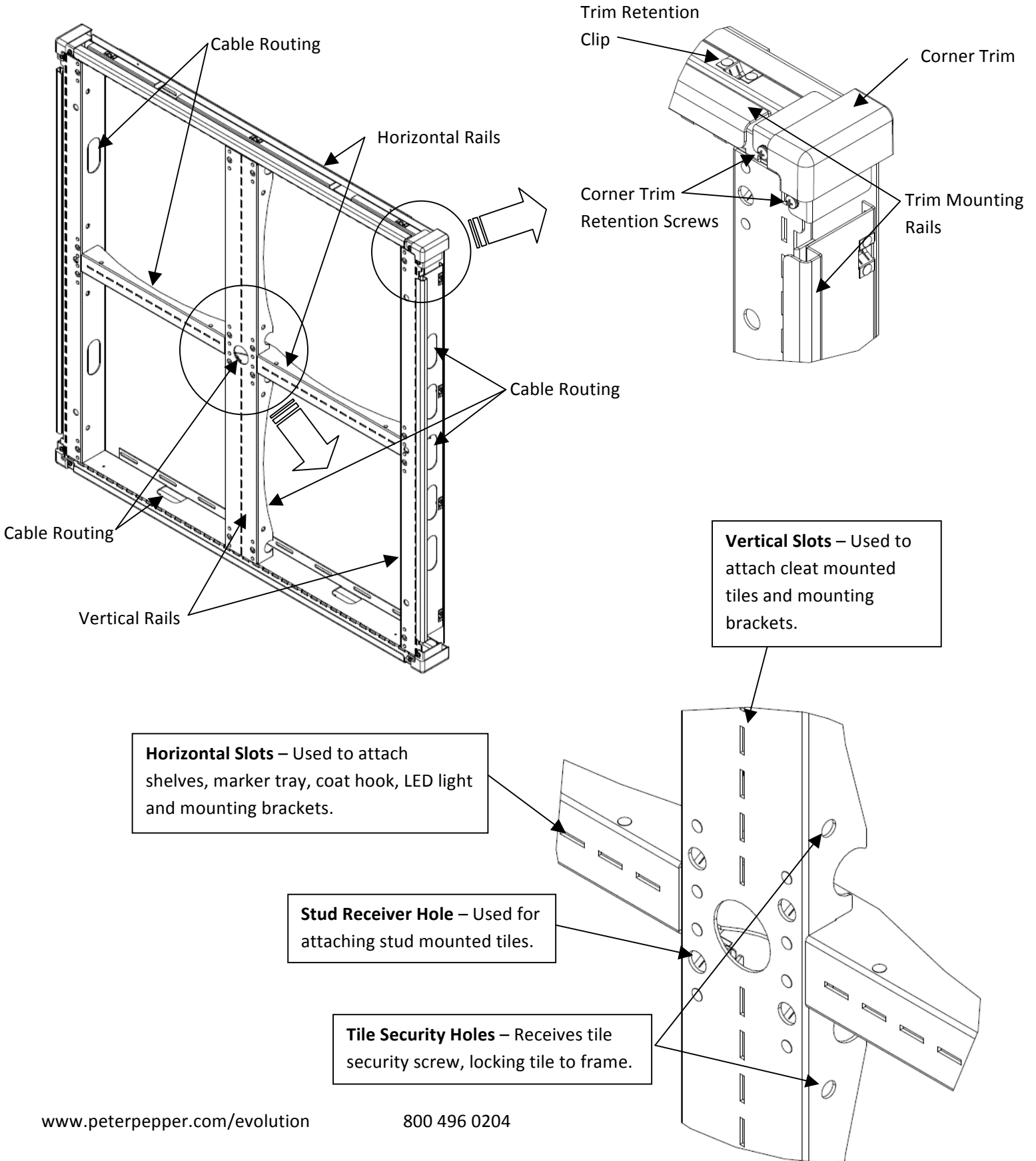


Note difference between horizontal and vertical trim pieces. Horizontal trim is not full depth, leaving a gap between trim and wall to allow for cable routing. Vertical trim is full depth, but has knockouts that can be removed to provide additional cable routing.



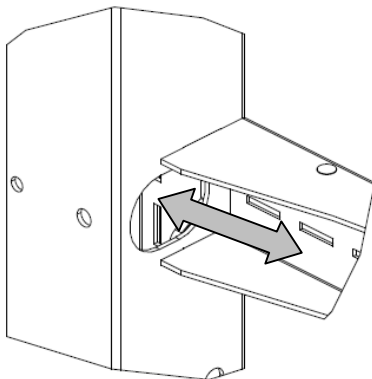
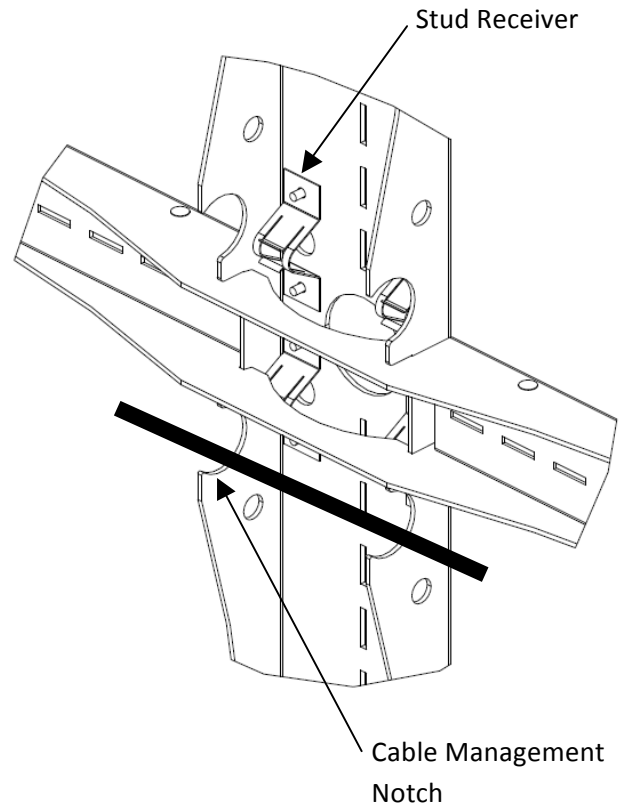
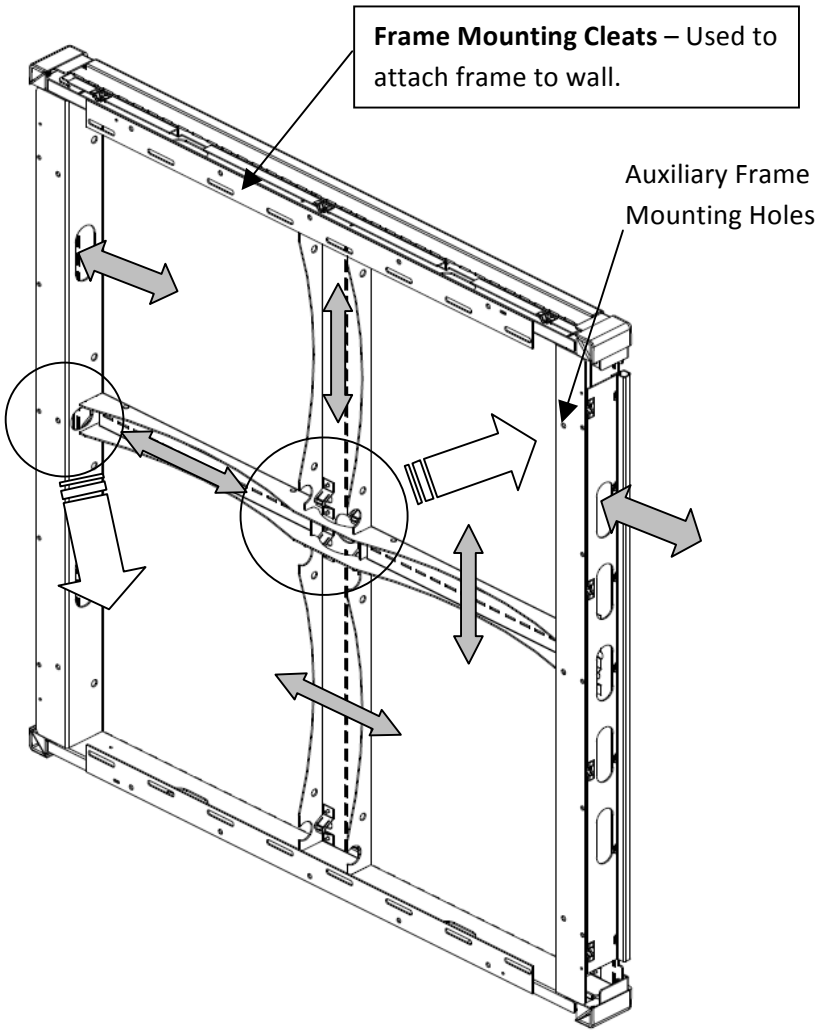
Frame Description & Details

Front of Frame

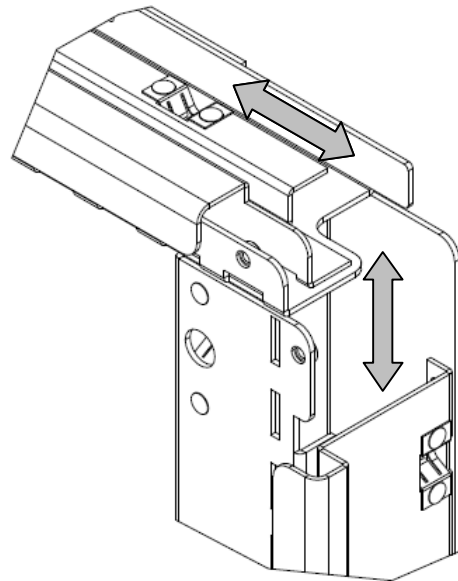


Frame Description & Details (cont.)

Back of Frame



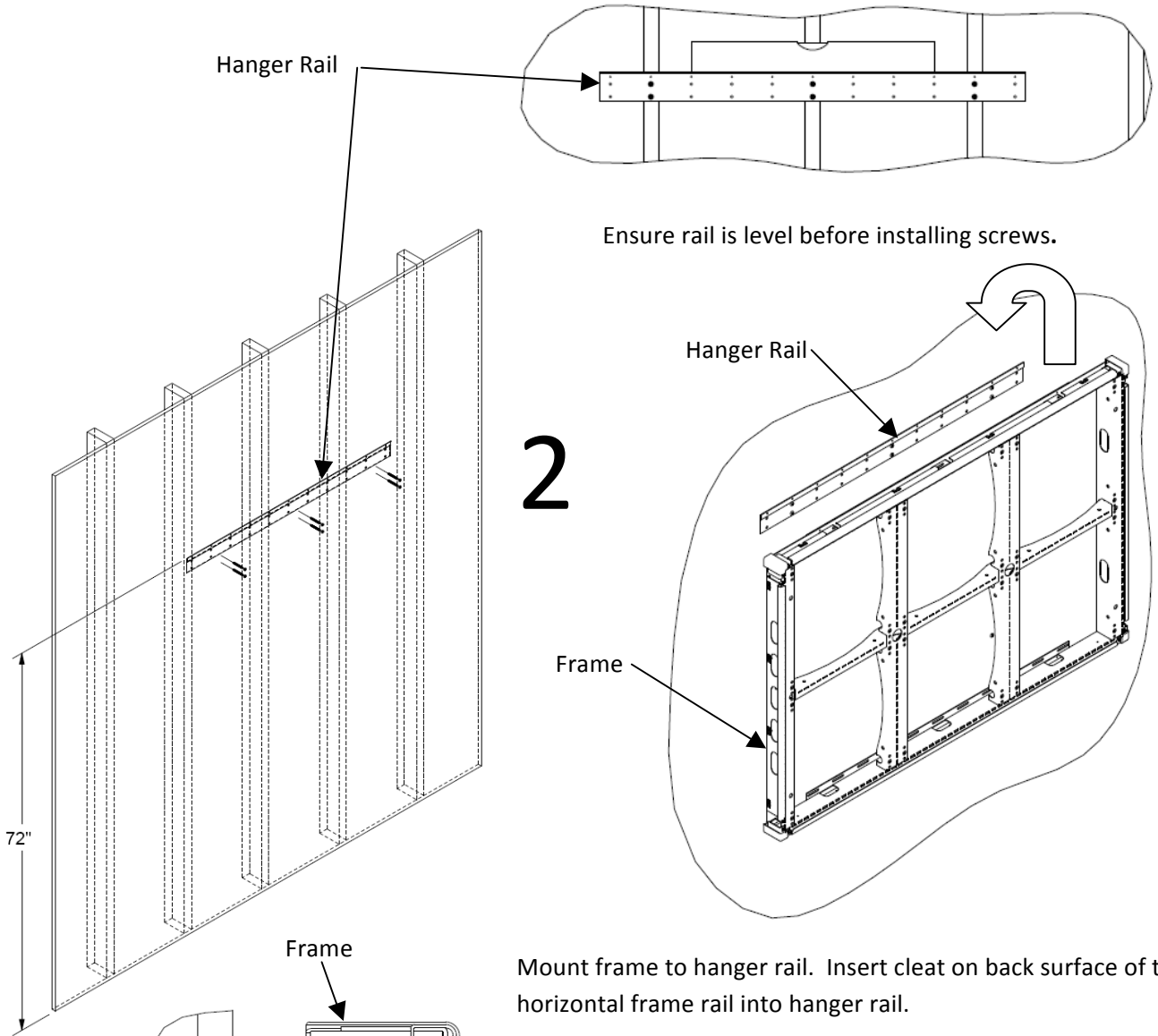
Indicates Cable Routing Paths



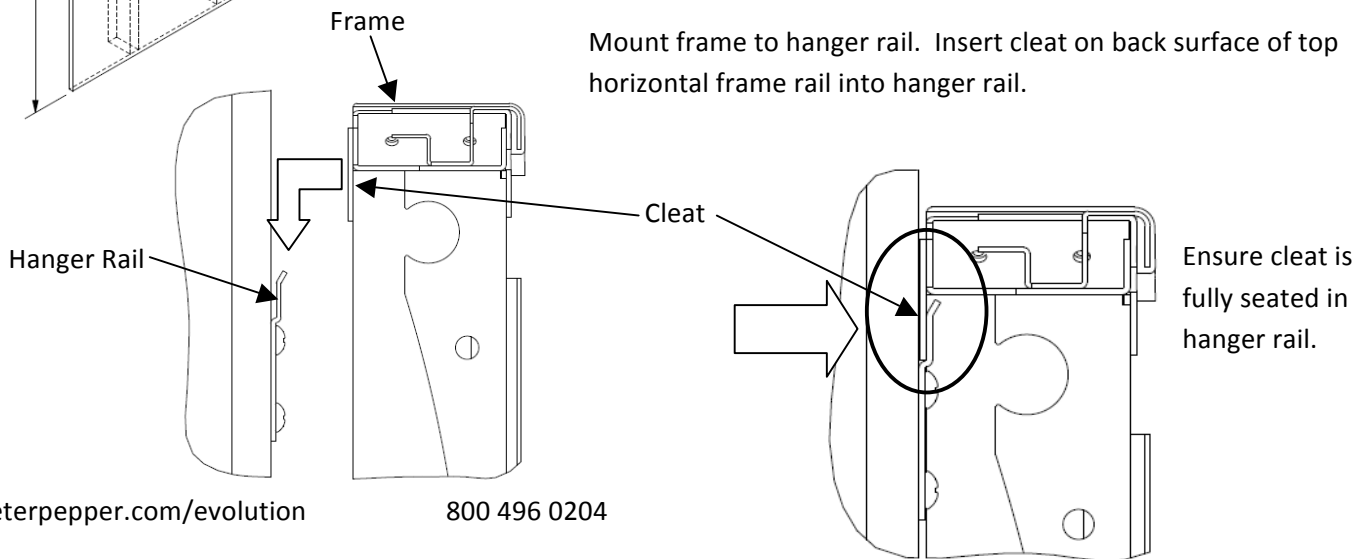
Evolution Frame Installation Instructions

Intall hanger rail 72" above floor (to top of rail). This applies to all frame sizes. Align holes in hanger rail with wall studs and intall two screws into each stud. Use screws appropriate for your specific wall construction. Secure rail to maximum numbers of studs available based on the width of the rail. In general, the number of studs available will be equal to the number of panels, i.e. mount to a minimum of three studs for a three panel width frame. Do not fully tighten screws at this time.

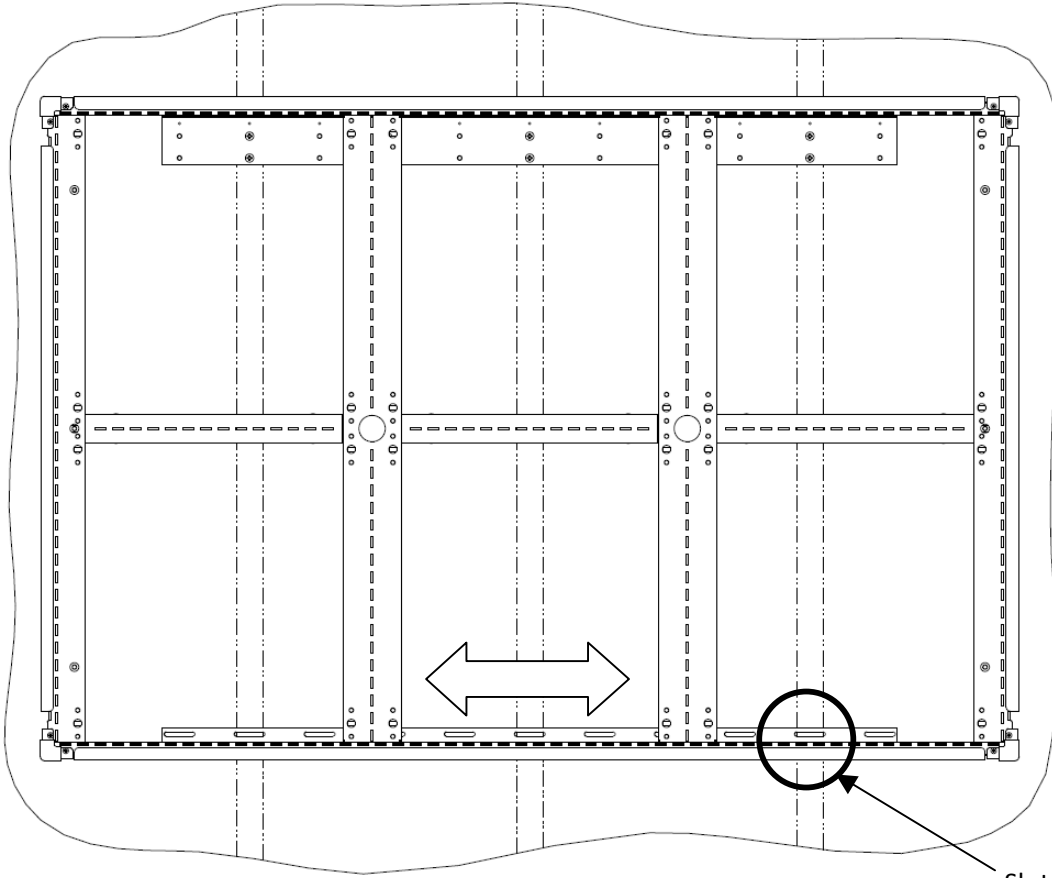
1



2

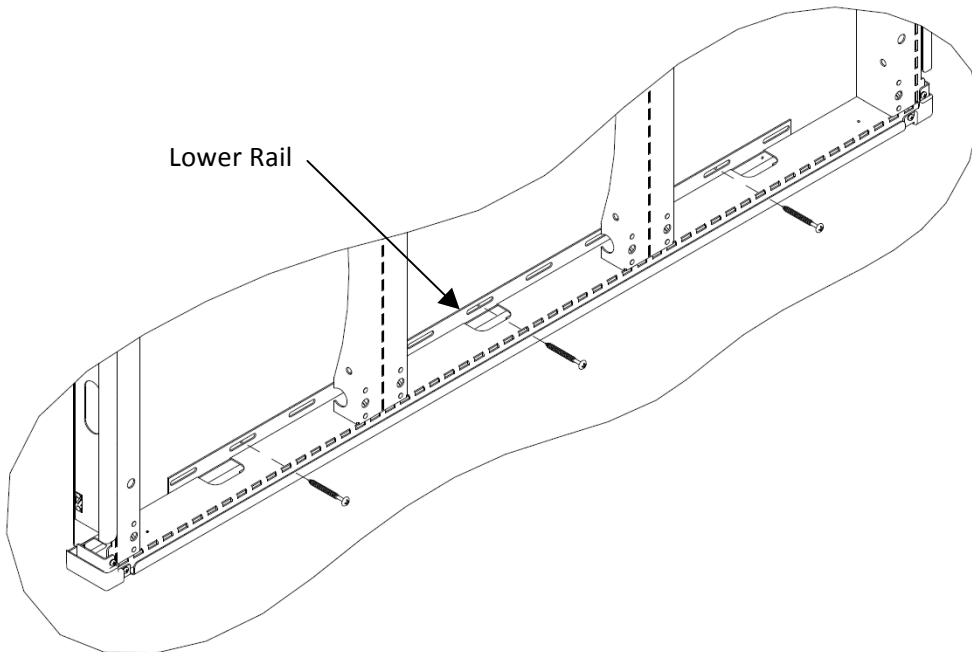


3



Slide frame to left or right as necessary to align slots in lower rail with studs.

4

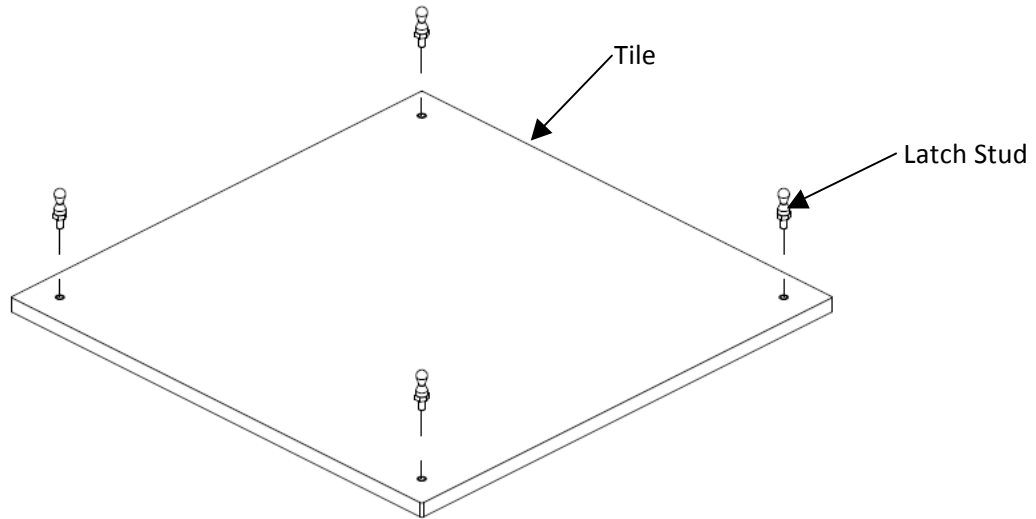


Install one screw into each stud. Fully tighten these screws and screws installed in step 1. Frame installation is complete.

Evolution Stud Mounted Tile Installation

The following instructions apply to all stud mounted tiles, including decorative, marker board, tack board, cart holder, clock, lightbox, gaming and iPod tiles.

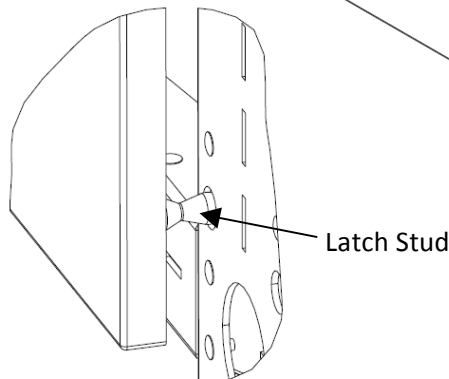
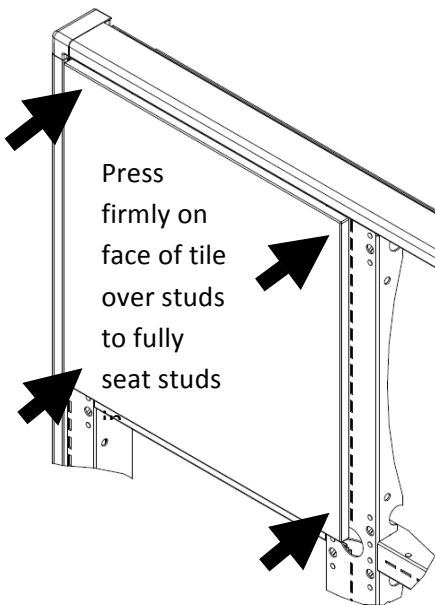
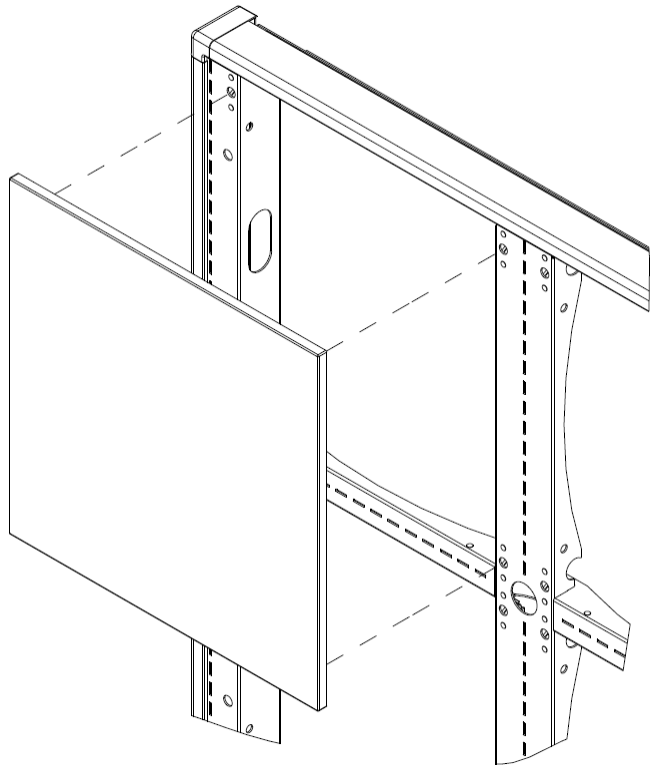
1



Latch studs must be installed in decorative, marker board, tack board and clock tiles. Studs are pre-installed at the factory for all other tiles. Double width tiles use six studs.

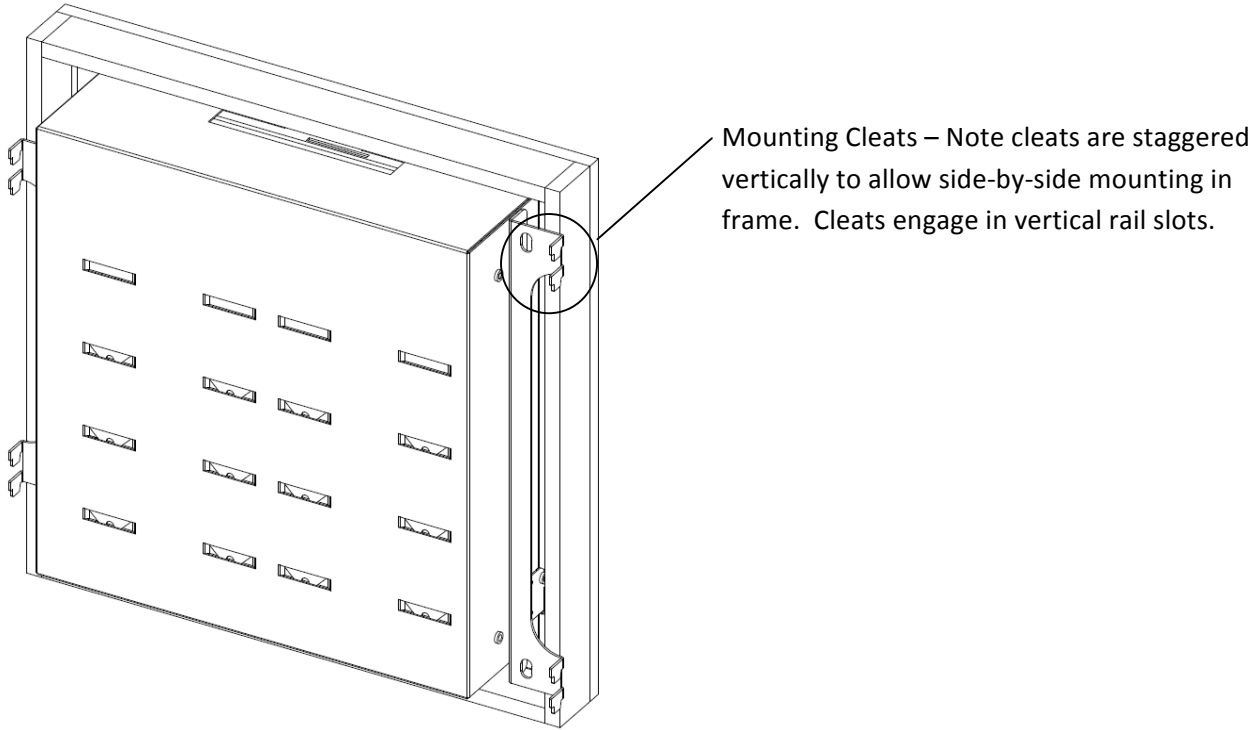
2

To install tiles, aligned latch studs with corresponding holes in frame. Insert studs in holes and press firmly on the face of the tile over each stud to seat the studs in the clips. An audible 'snap' will heard when stud is fully engaged.



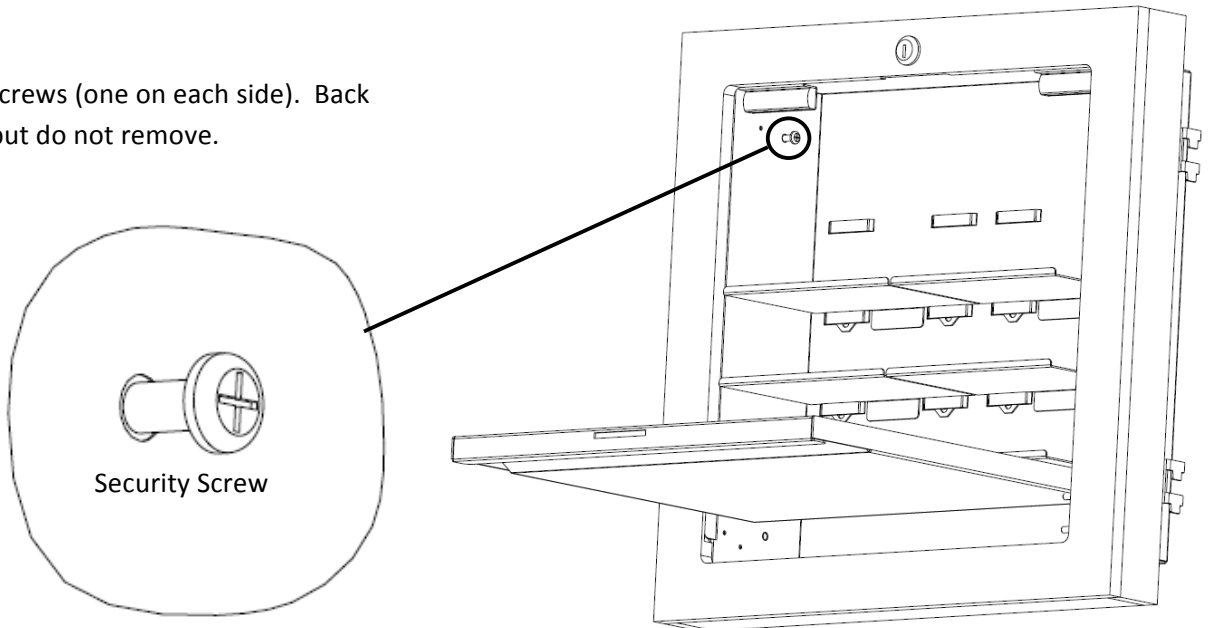
Evolution Cleat Mounted Tile Installation

The following instructions apply to all cleat mounted tiles, including med storage, work stations, CPU storage and infection control.



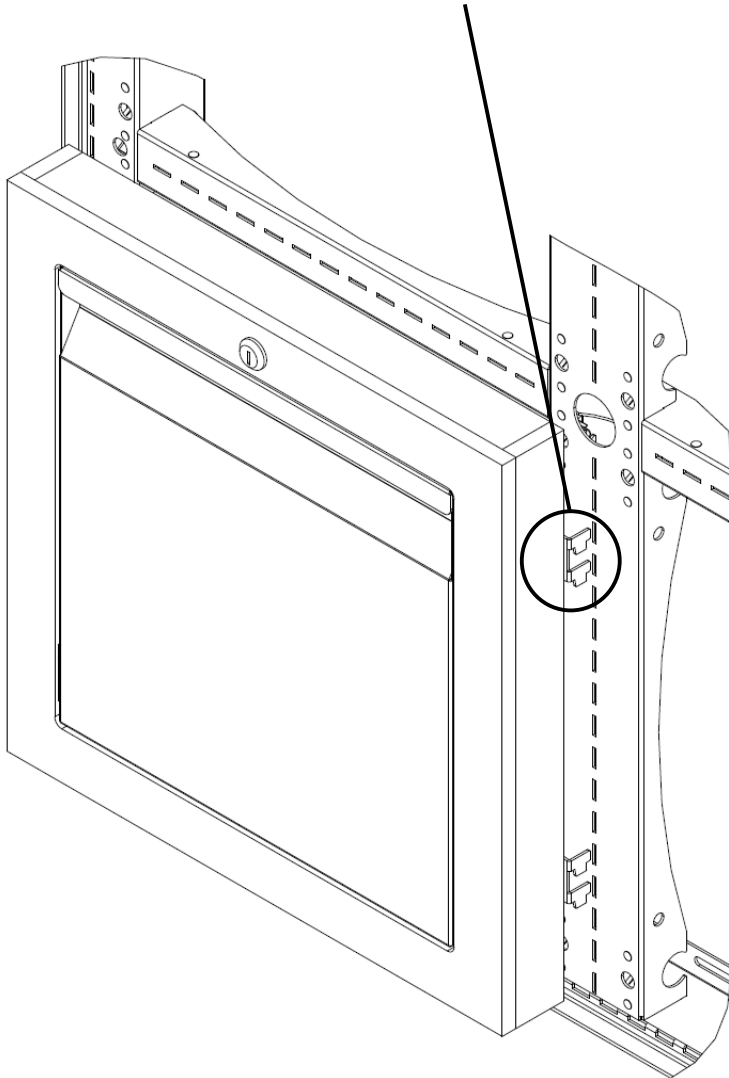
1

Loosen security screws (one on each side). Back completely out, but do not remove.



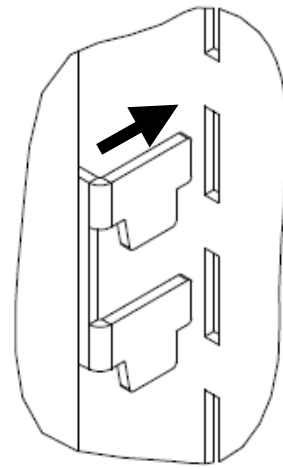
2

Align cleats with slots in vertical rails.



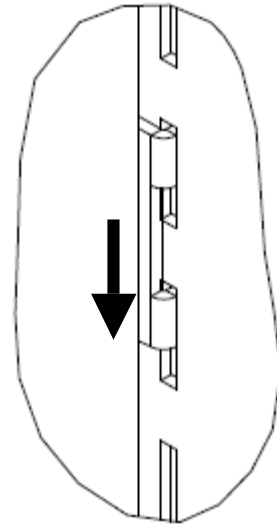
3

Insert cleats into vertical rail slots.



4

Push down on top of tile to engage cleats.

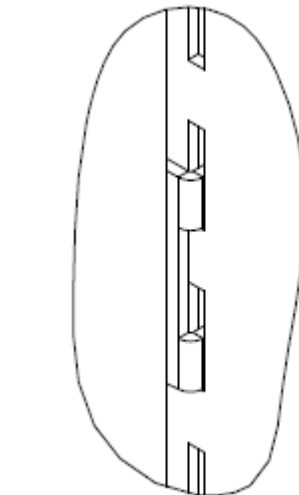
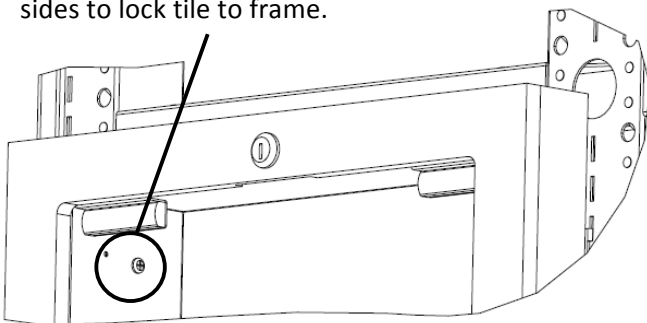


5

Re-tighten security screws on both

Important!

sides to lock tile to frame.



Cleats shown fully engaged.

Shelf & Marker Tray Installation

The following instructions apply to single wide shelves, double wide shelves and marker trays. Tiles must be in place prior to installing these components. Trim can be installed before or after shelves and marker trays.

1

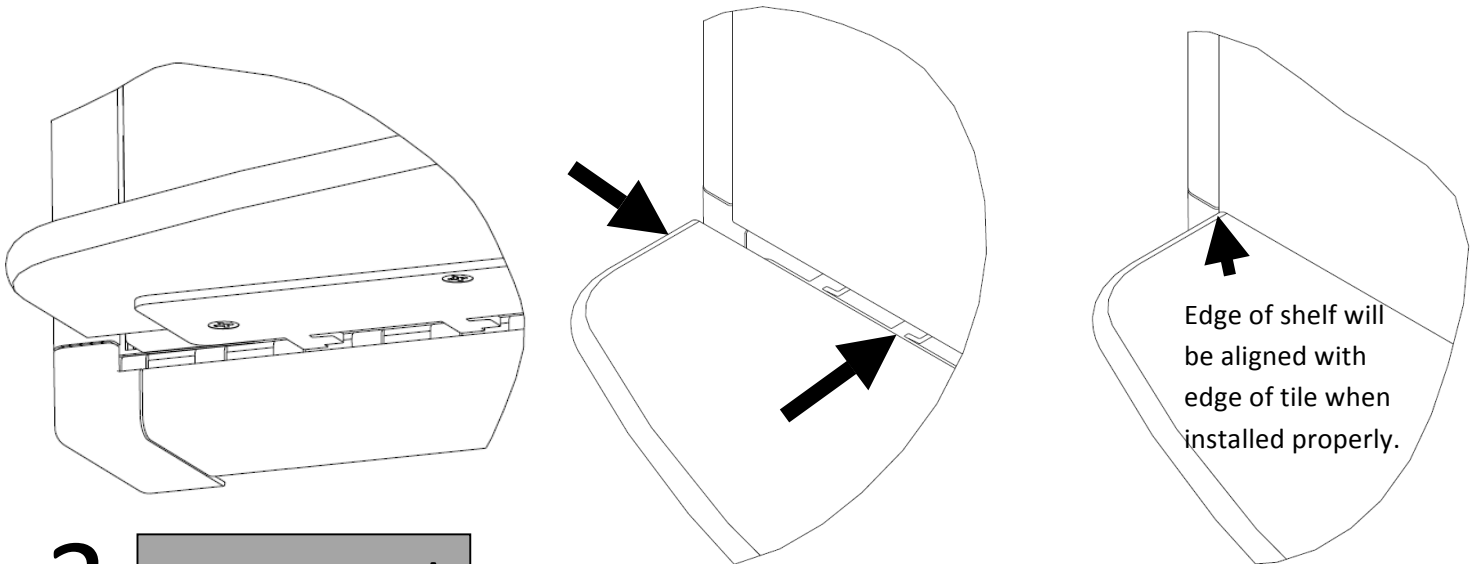
Flip shelf/marker tray over and pull security clip all the way out.

2

Security Clip

Bottom View

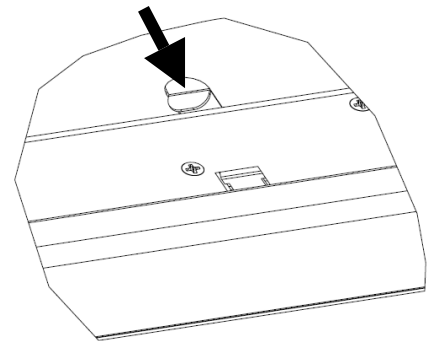
Align cleats with horizontal slots in rail. Insert cleats and while pushing shelf or marker tray against tiles, slide to the right to engage with slots.



3

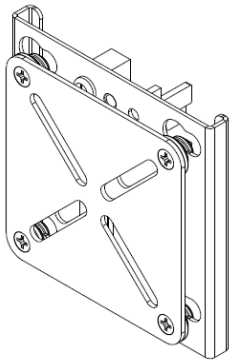
Important!

Push security clip all the way in to secure the shelf/marker tray to frame.

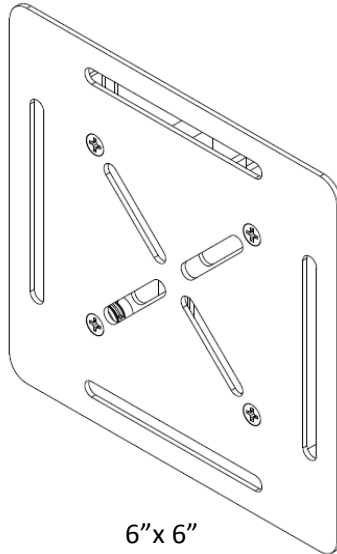


Universal Brackets

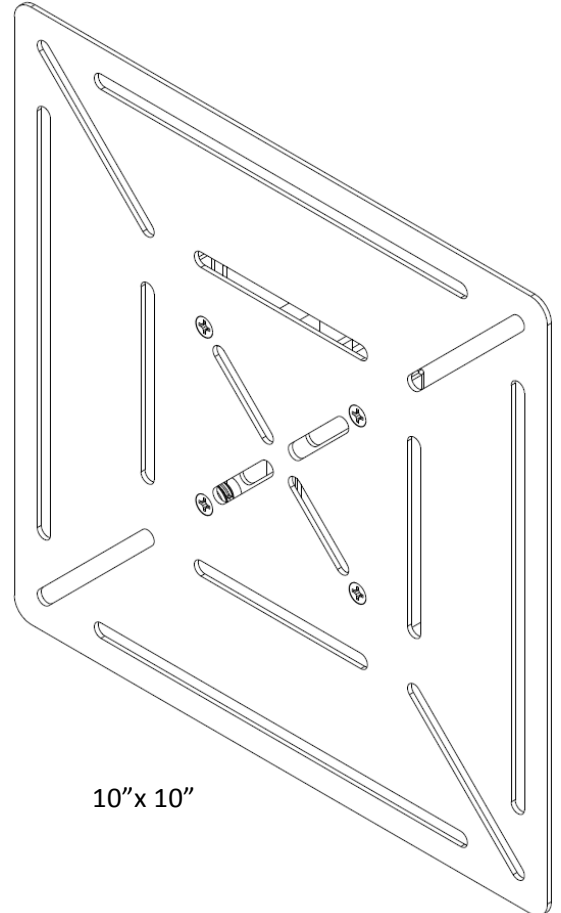
Universal brackets are available with three different sizes of face plates 3-1/2" x 3-1/2", 6" x 6" and 10" x 10". All connect to the universal mounting bracket via four keyhole slots. Universal brackets can be mounted anywhere along the perimeter of the frame or within the horizontal or vertical gaps between tiles.



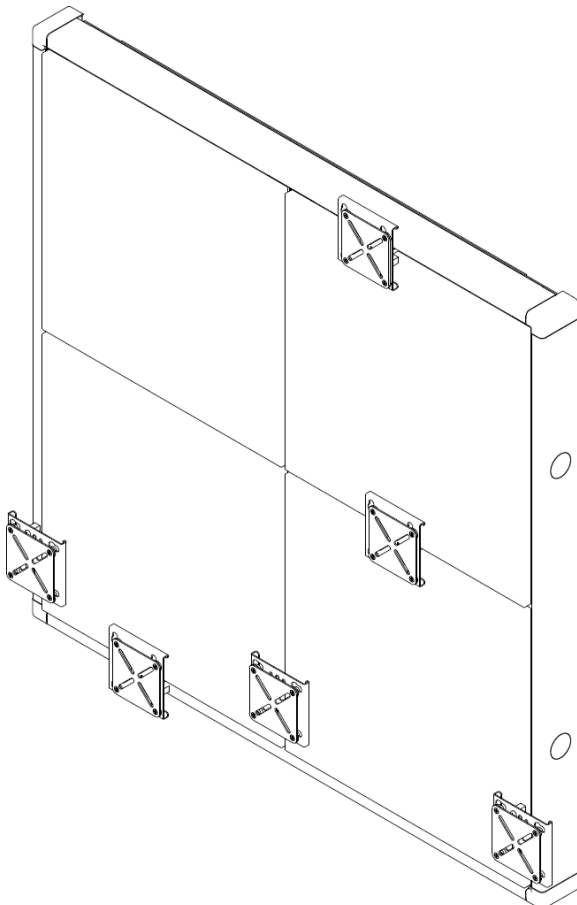
3-1/2" x 3-1/2"



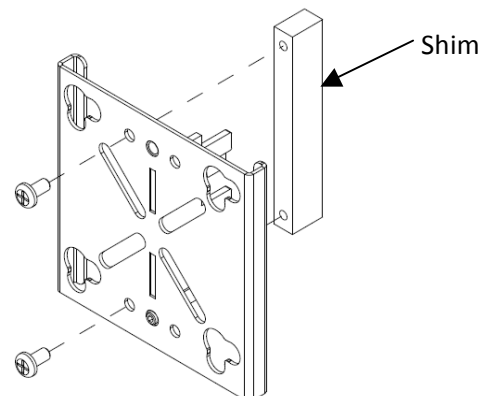
6" x 6"



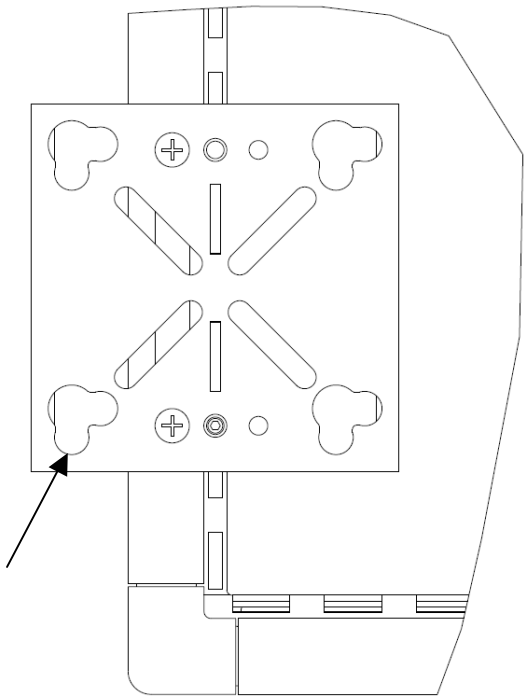
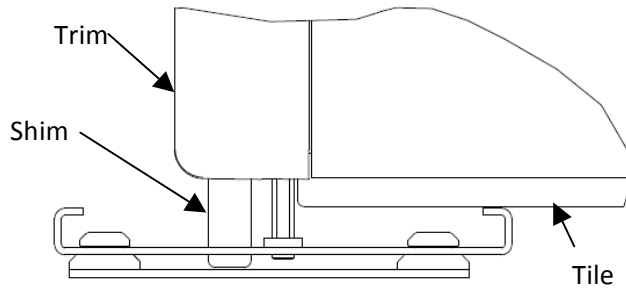
10" x 10"



Perimeter installations require the use of the shim that comes with the universal bracket assembly. The shim mounts using the screws provided, on the side of the bracket that overhangs the trim. The bracket shown below would mount on the left edge. The shim compensates for the height difference between the face of the tile and the face of the trim.



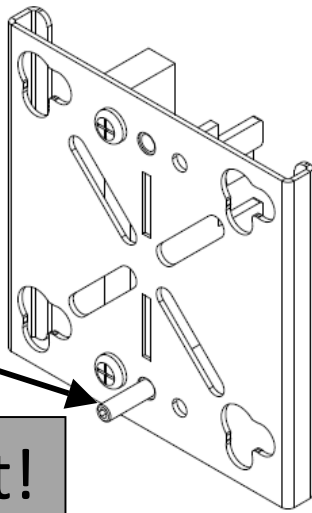
Universal Brackets (cont.)



Bracket must be mounted so that the "L" shaped slots are pointed down.

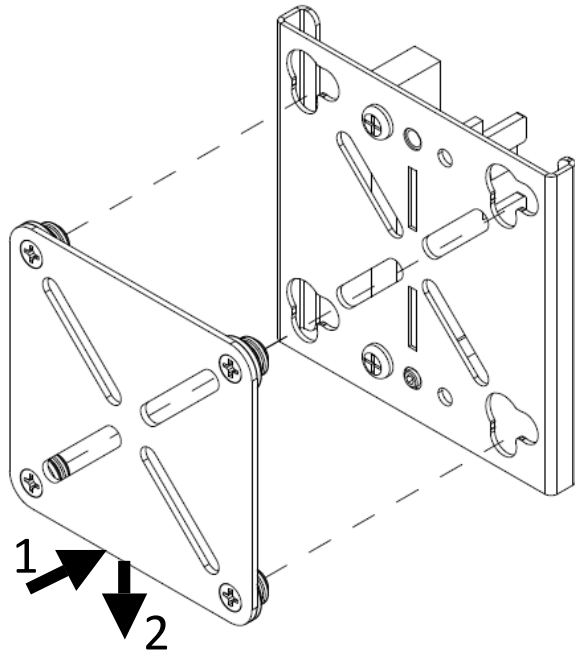
Universal brackets attach to the frame in the same manner as cleat mounted tiles. In vertical rails, insert cleats in slots and push down to engage with rail. In horizontal rails, insert cleats in slots and push to the left to engage with rails

After installing bracket, tighten set screw to secure to frame.



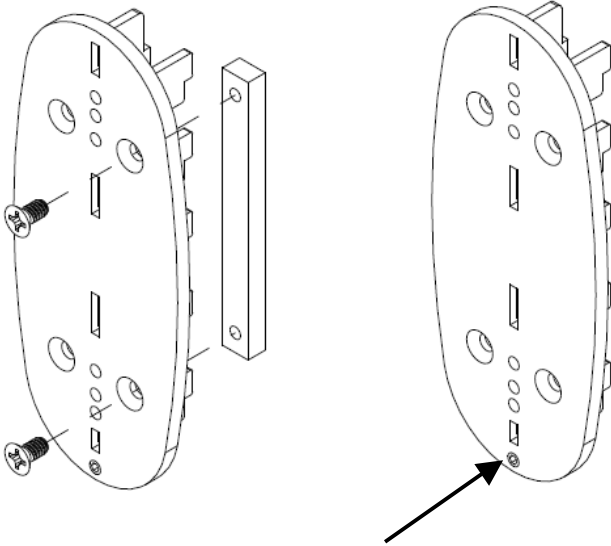
Important!

- To attach face plate to bracket:**
1. Insert four buttons into large portion of "L" shaped slots.
 2. Push face plate down until buttons snap into lower leg of "L" slots.



Monitor Brackets

Monitor brackets are cleat mounted brackets used in vertical rails only. Shims are provided for perimeter mounted applications (see Universal Bracket section).

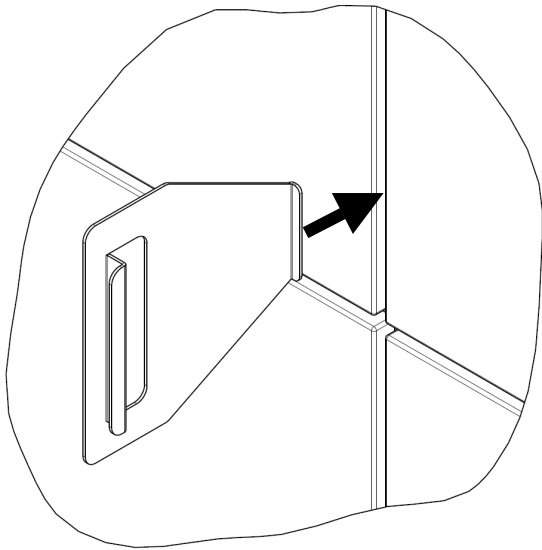


After installing
bracket, tighten
set screw to
secure to frame.

Important!

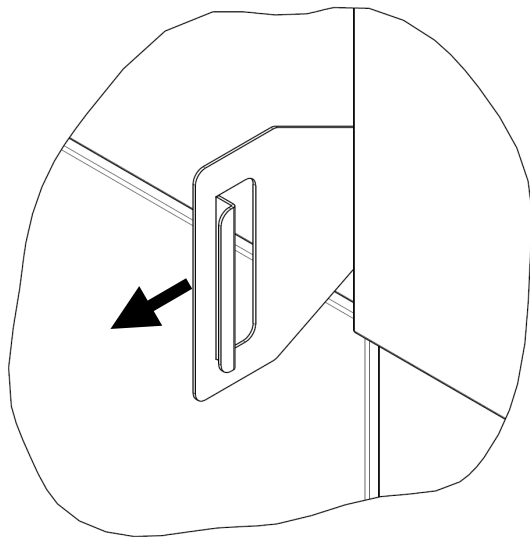
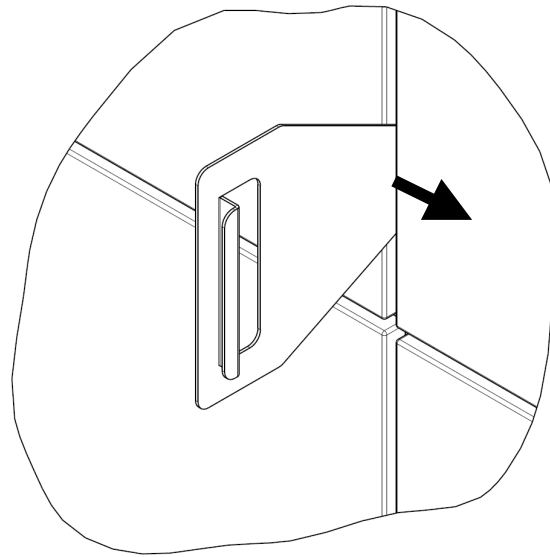
Tile Removal Tool

The tile removal tool is used to remove stud mounted tiles.



Insert tile removal tool into gap between tiles, near corner of tile being removed.

Slide flange on tile removal tool under tile.



Pull on handle of tile removal tool to dislodge tile from frame.