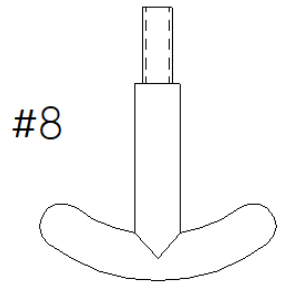
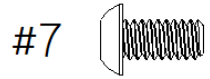
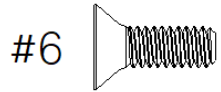
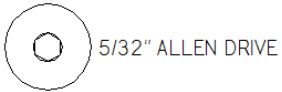
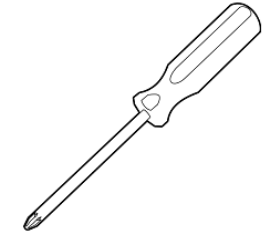


HARDWARE



TOOLS NEEDED



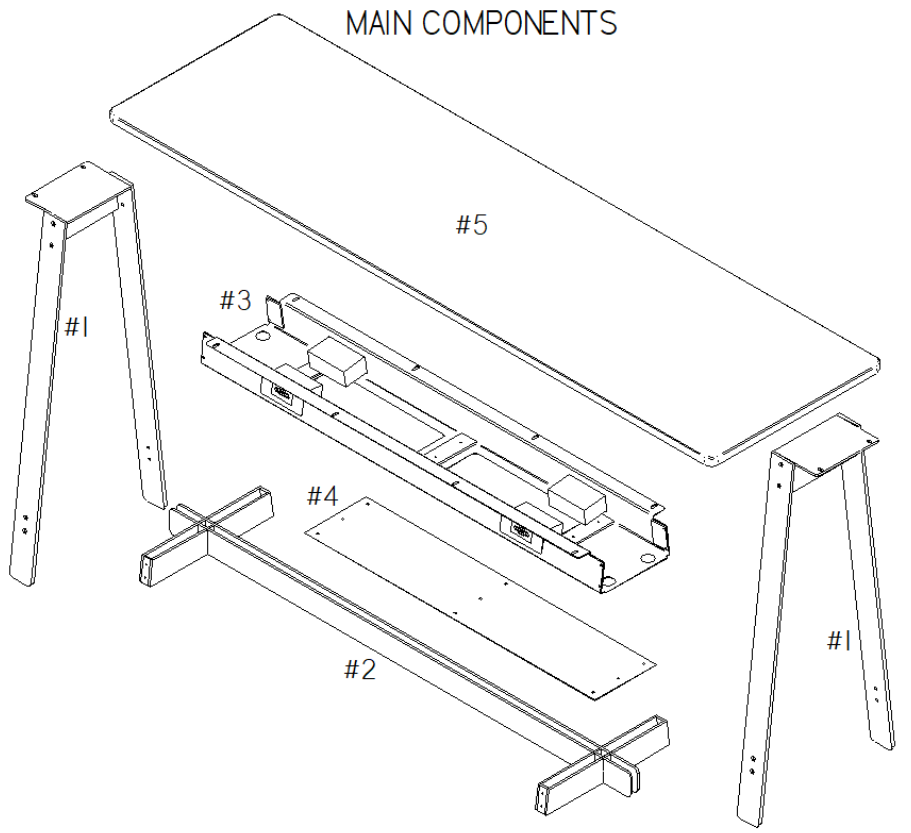
PETER PEPPER PRODUCTS

Go-To Freestanding Worktable

Installation Manual



MAIN COMPONENTS



GO-TO FREESTANDING WORKTABLE BOM

Item #	Description	Quantity
1	FREESTANDING LEG	2
2	FREESTANDING H BRACE	1
3	FREESTANDING TRAY	1
4	FREESTANDING TRAY LINER	1
5	WORKTABLE TOP	1
6	1/4-20 X 3/4" HEX/ALLEN DRIVE FLAT HEAD SCREW	16
7	1/4-20 X 1/2" HEX/ALLEN DRIVE BUTTON HEAD SCREW	18
8	HOOK	3



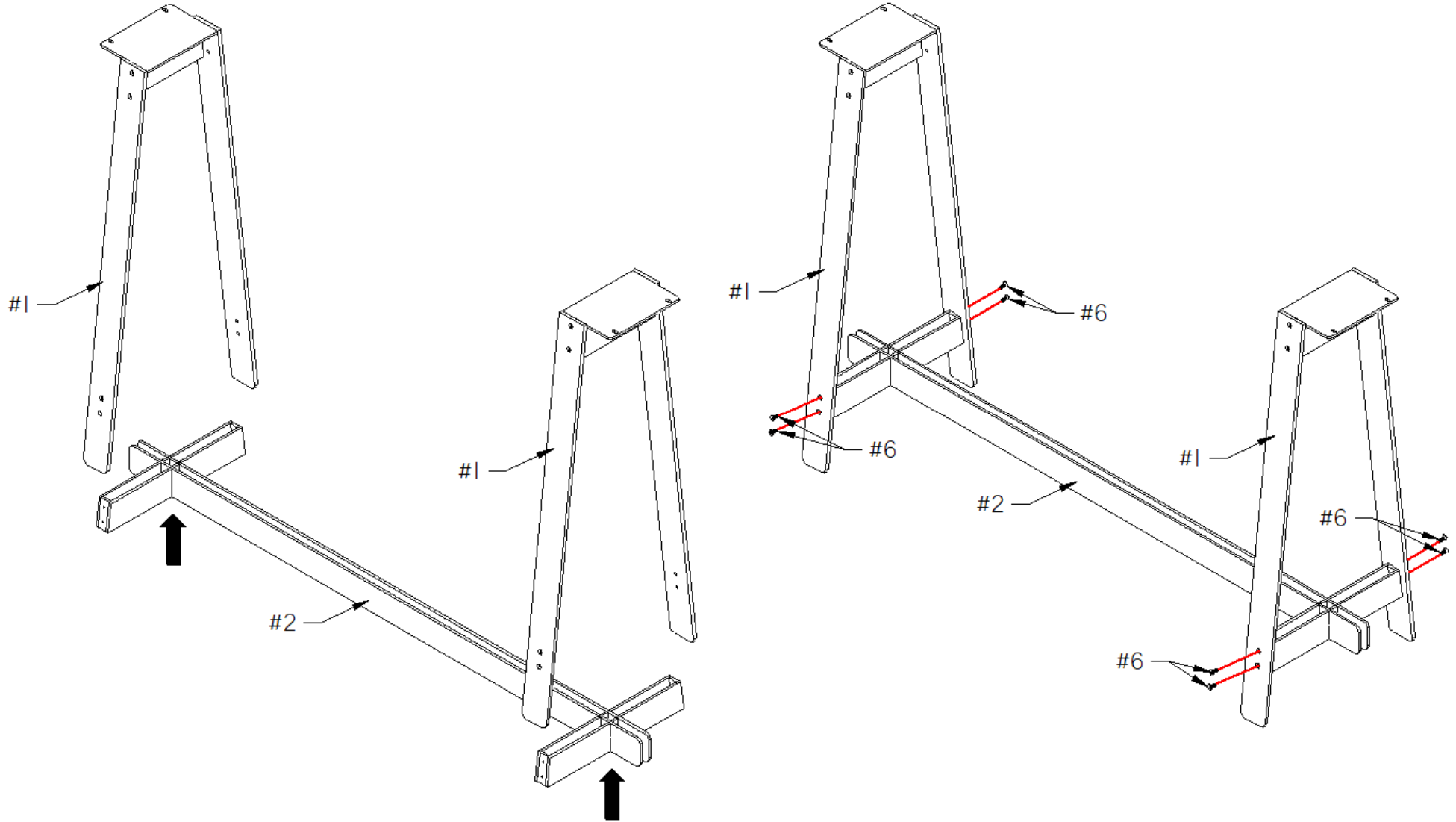
PETER PEPPER PRODUCTS

Go-To Wall

Installation Manual

Step 1

Fasten Legs to Lower H Brace





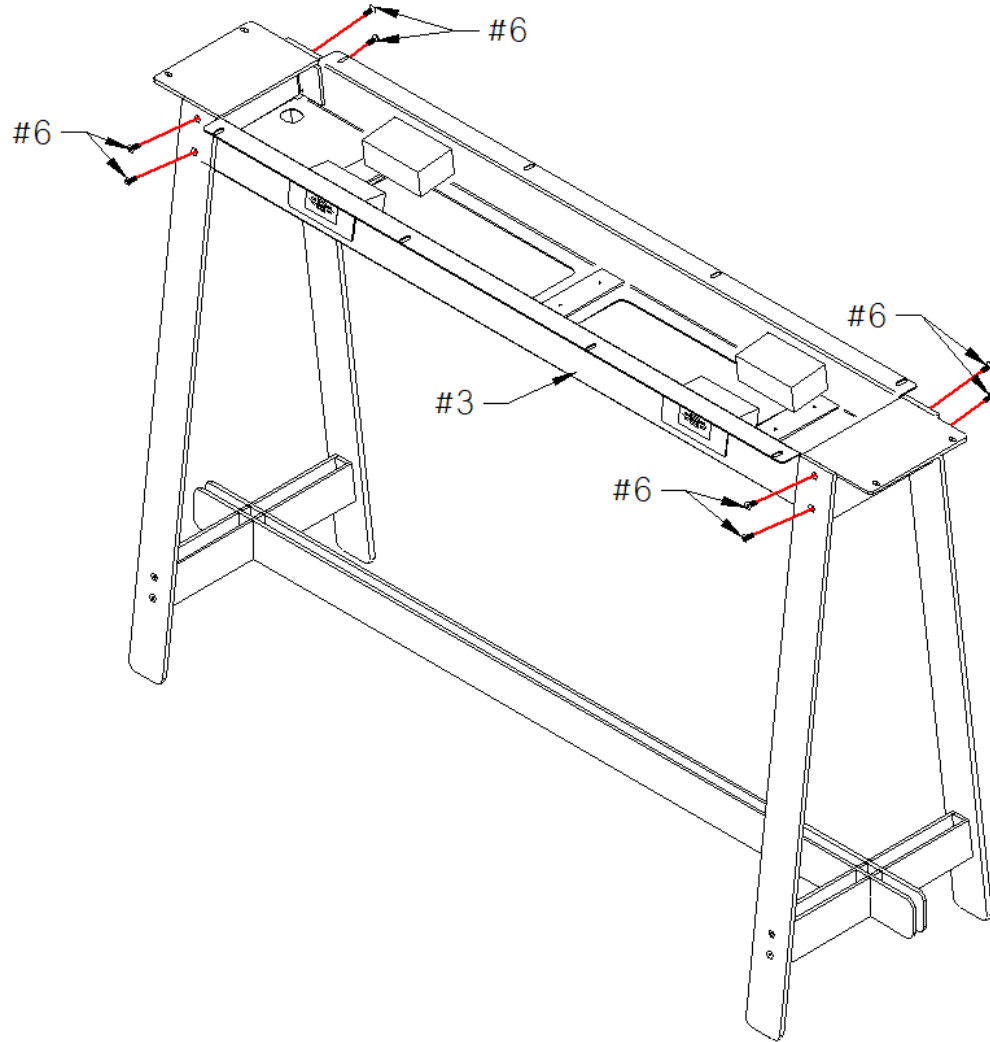
PETER PEPPER PRODUCTS

Go-To Wall

Installation Manual

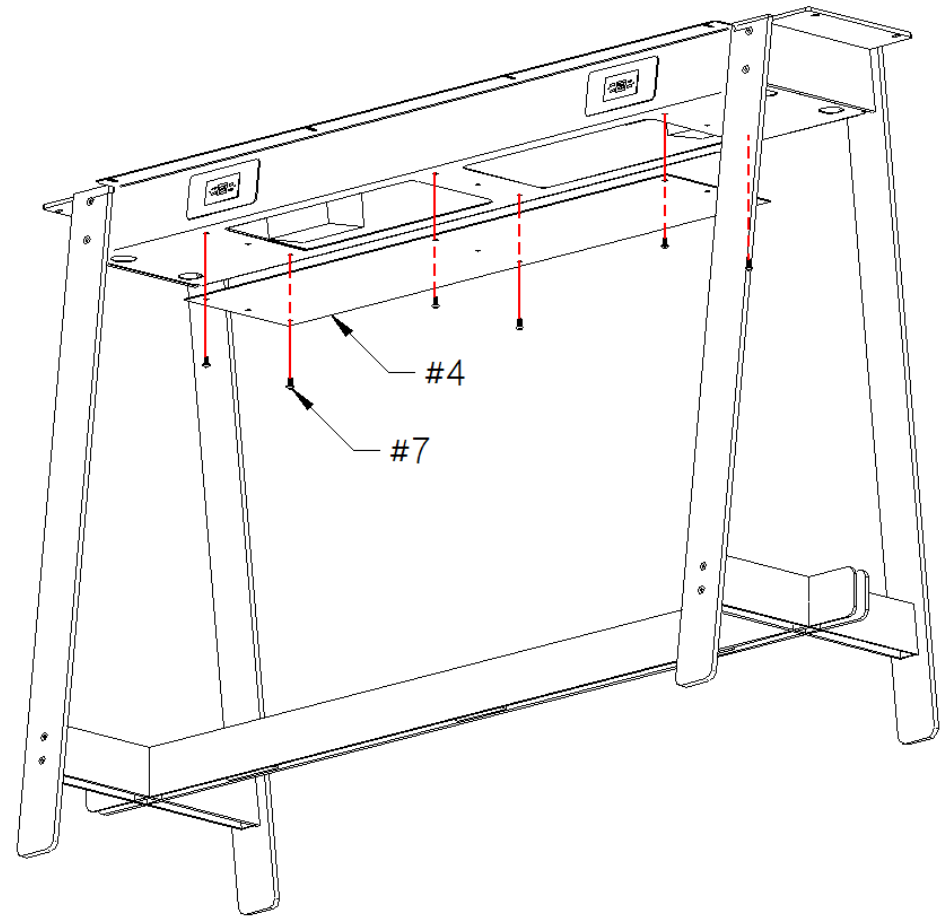
Step 2

Fasten Legs to Upper Tray

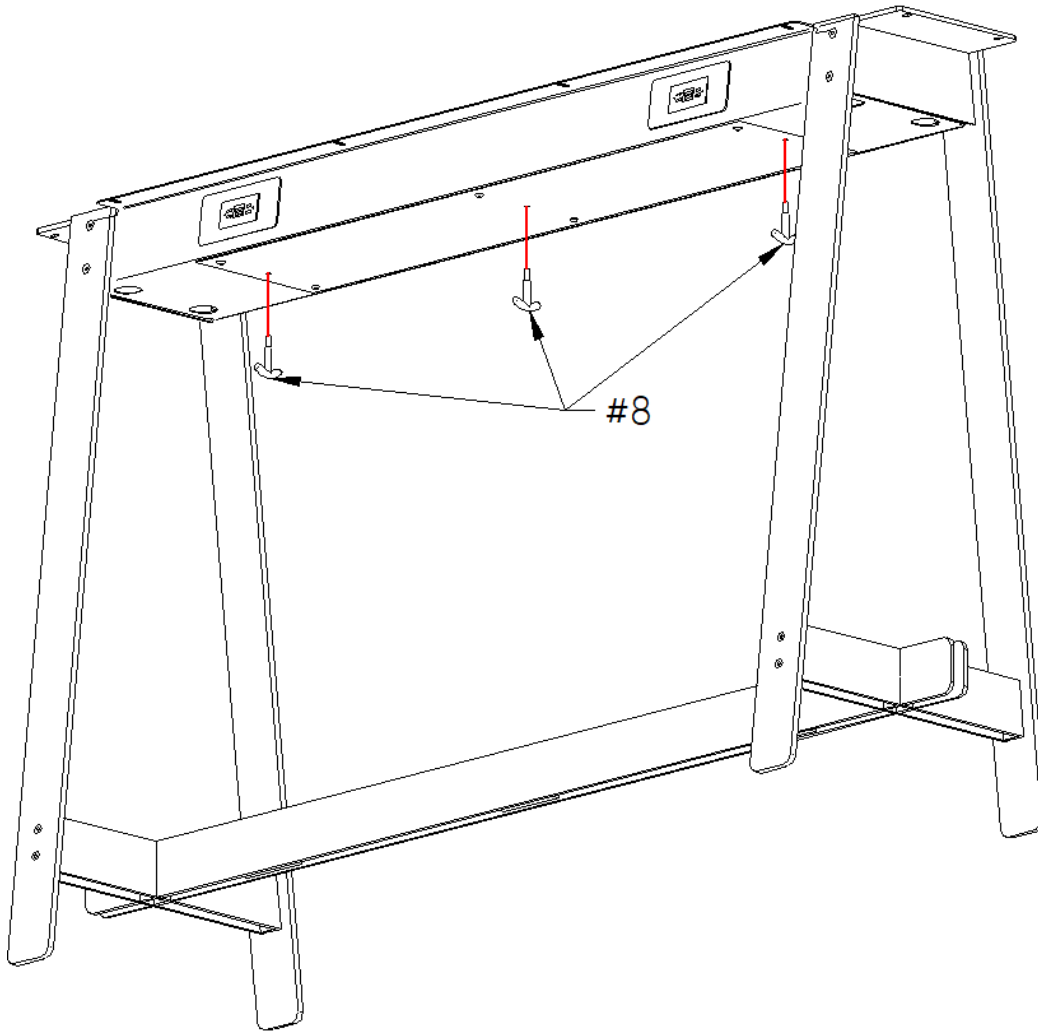


Step 3

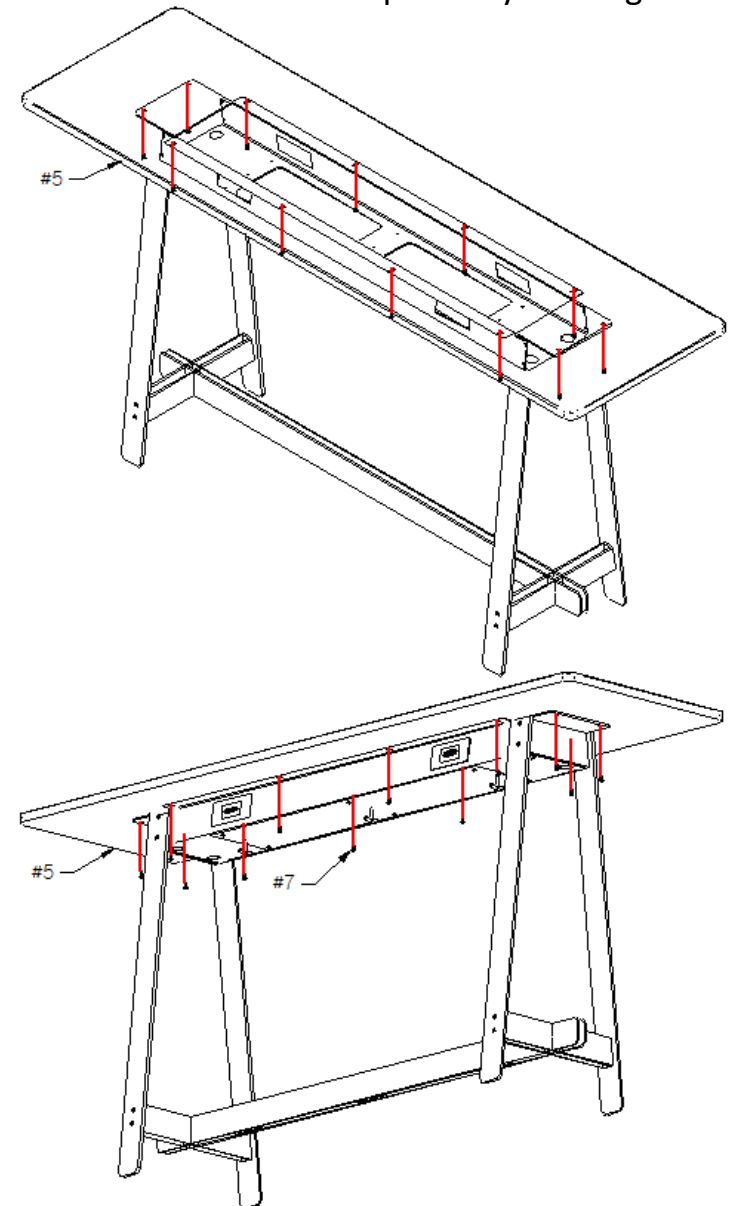
Install Tray Liner to Tray



Step 4
Install Hooks to Bottom of Tray



Step 5
Install Worktable Top to Tray and Legs





PETER PEPPER PRODUCTS

Go-To Wall

Installation Manual

