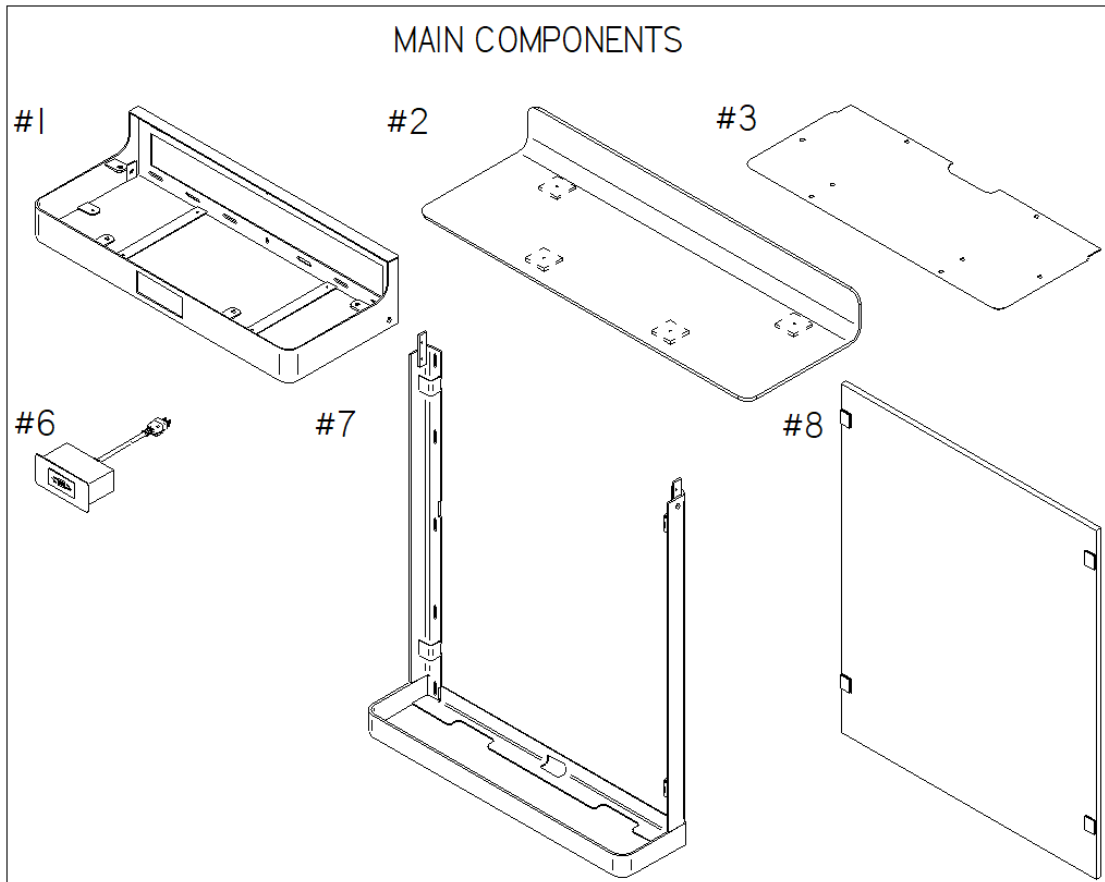


PETER PEPPER PRODUCTS

Go-To Wall

Worktable with Foot Rest

Installation Manual



GO-TO WALL WITH FOOT REST BOM

Item #	Description	Quantity
1	GO TO WALL SHELF	1
2	GO TO WALL TOP	1
3	GO TO WALL SHELF LINER	1
4	1/4-20 X 3/8 BUTTON HEAD SOCKET CAP SCREW	10
5	HOOK	2
6	ELECTRICAL MODULE	1
7	GO TO WALL FOOT REST	1
8	GO TO WALL PANEL	1
9	1/4-20 X 1/2 FLAT HEAD SOCKET CAP SCREW	4

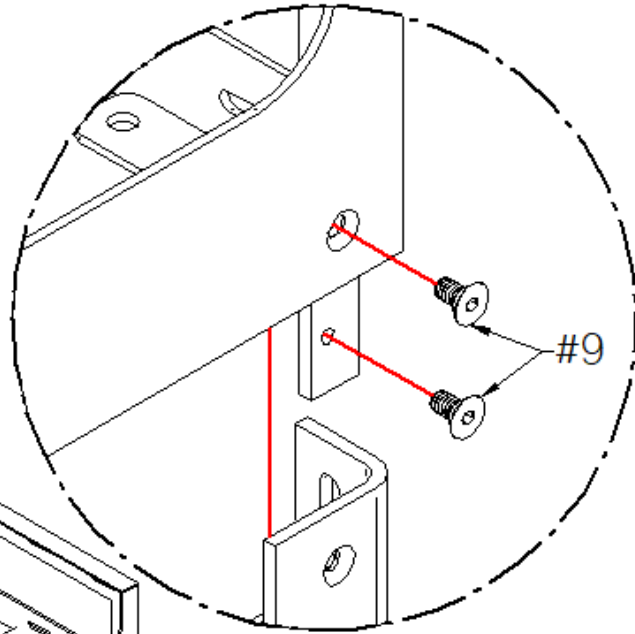
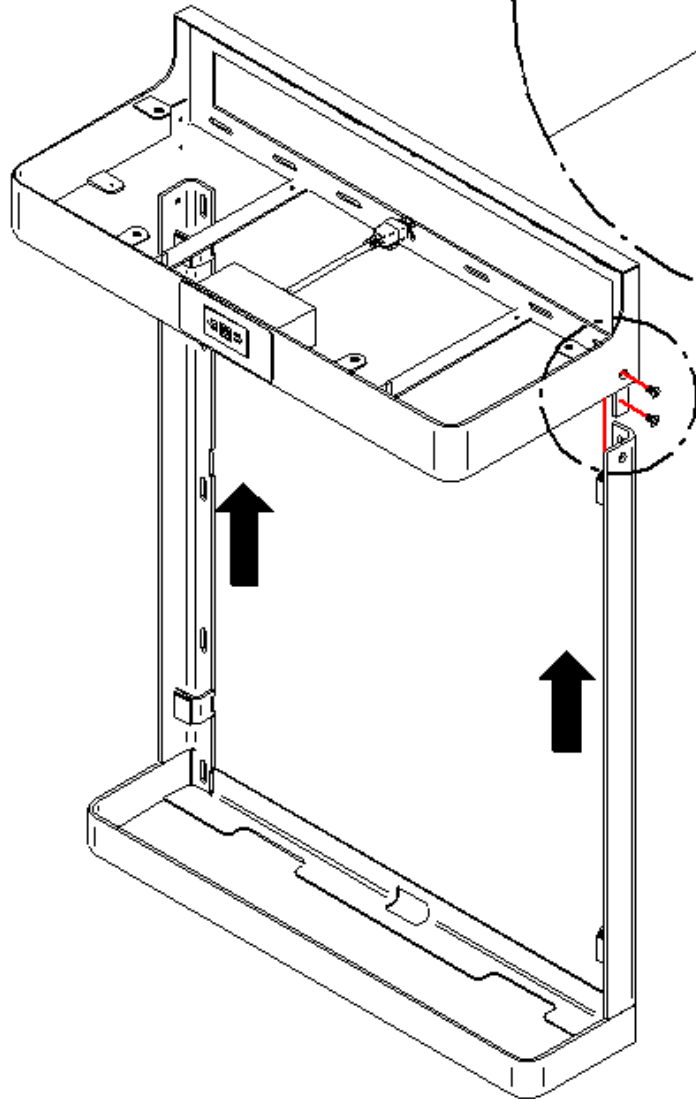


PETER PEPPER PRODUCTS

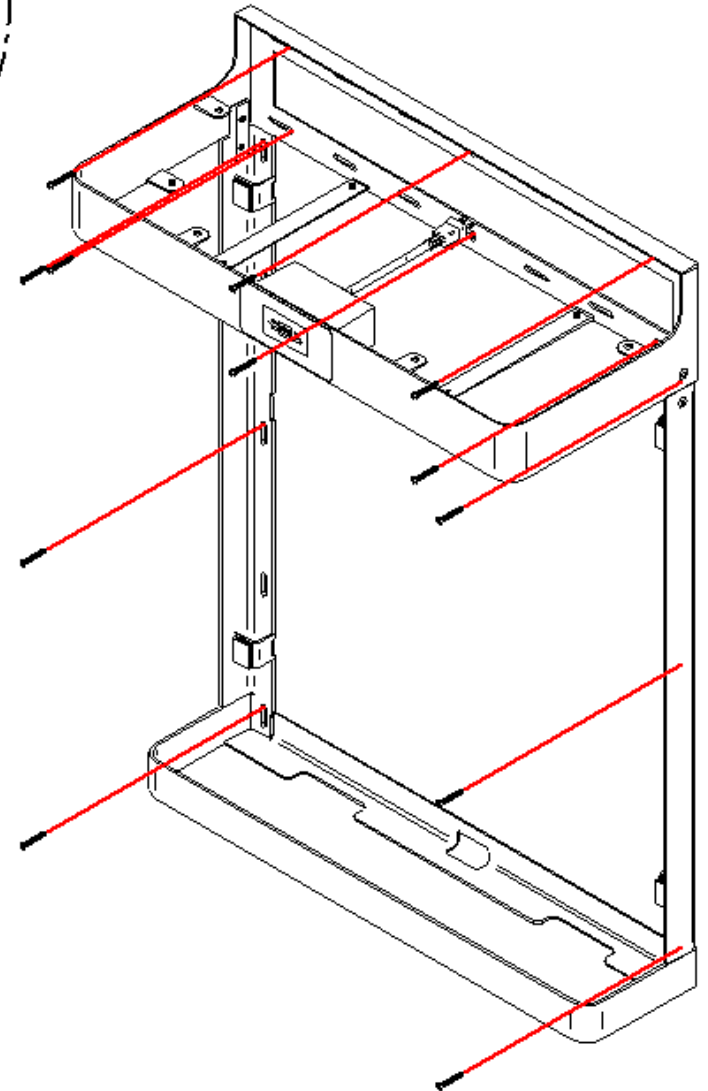
Go-To Wall

Installation Manual

Step 1 Attach Shelf to Foot Rest



Step 2 Secure Shelf and Foot Rest to Wall





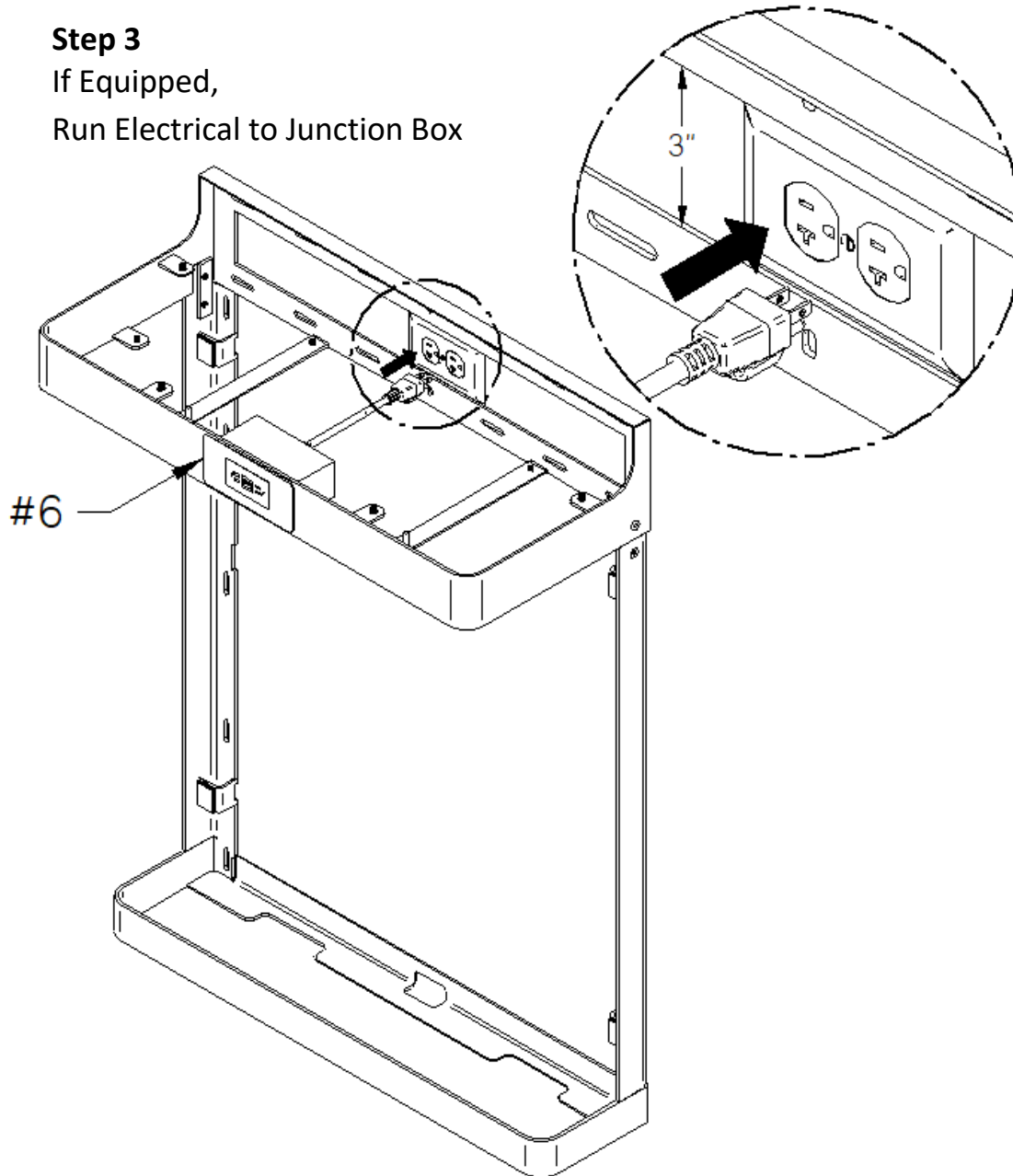
PETER PEPPER PRODUCTS

Go-To Wall

Installation Manual

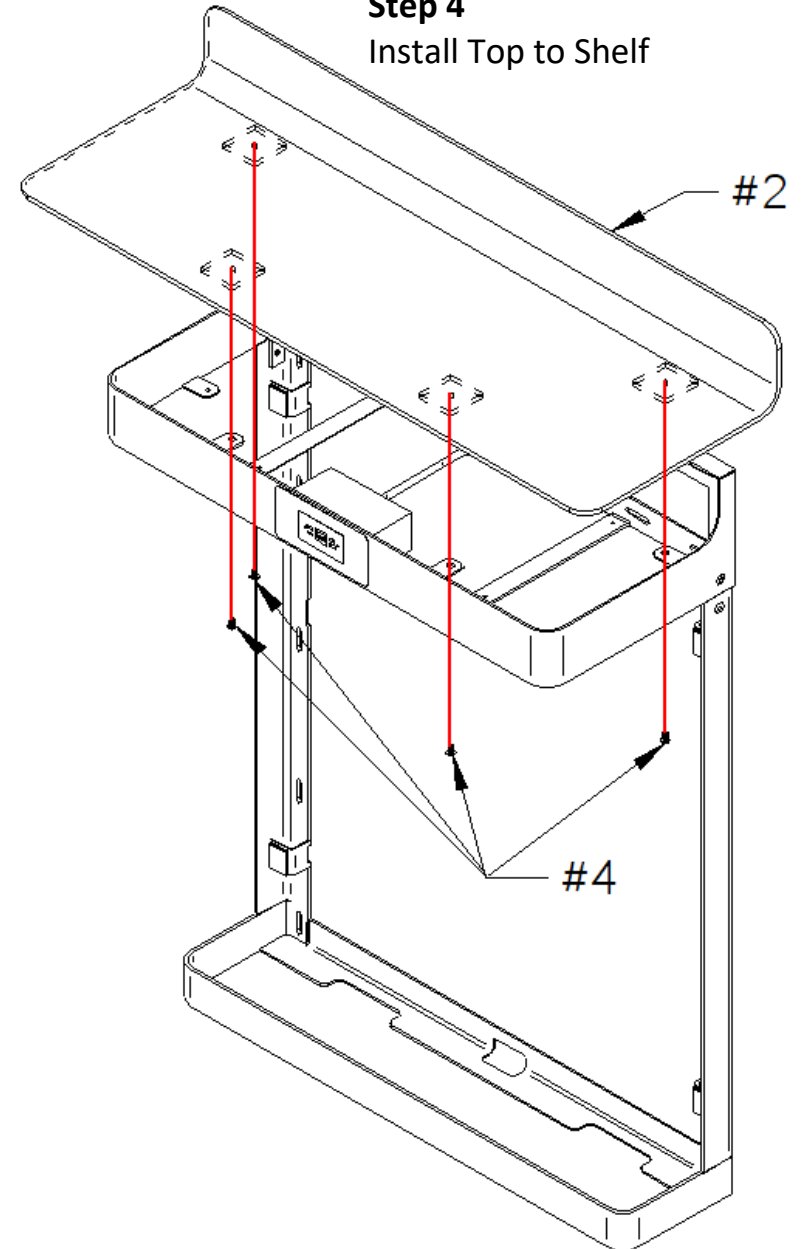
Step 3

If Equipped,
Run Electrical to Junction Box



Step 4

Install Top to Shelf





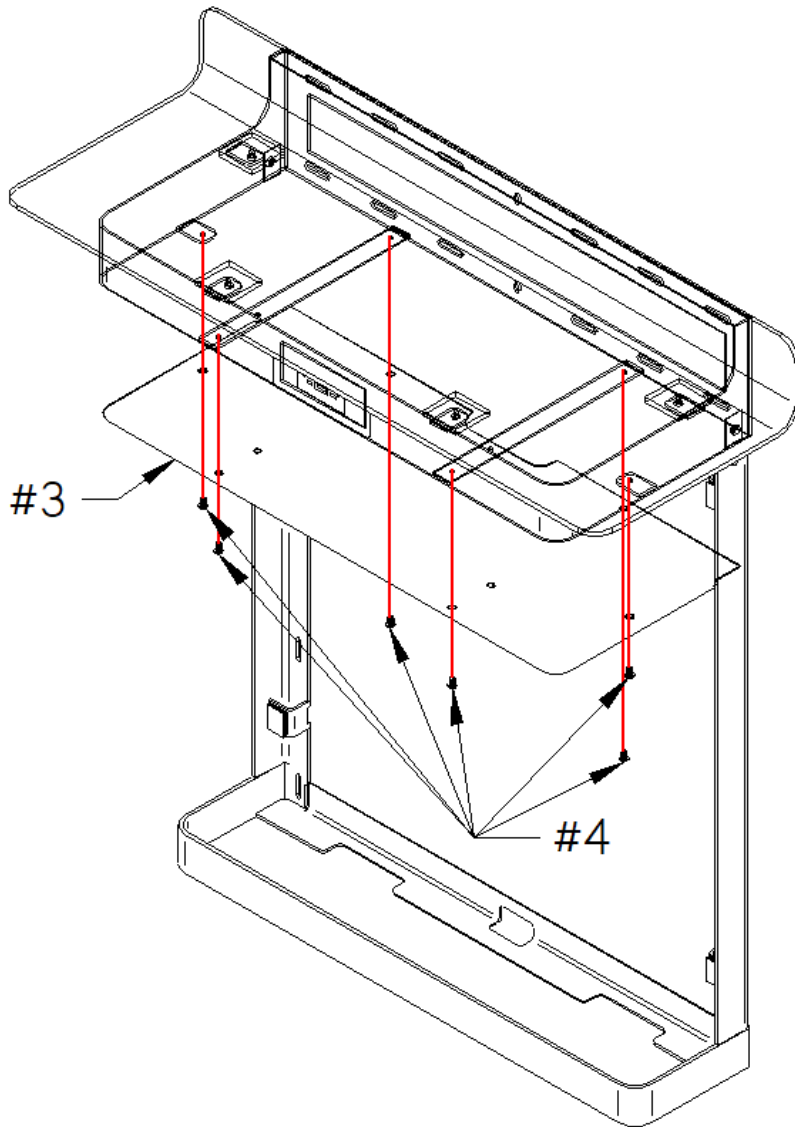
PETER PEPPER PRODUCTS

Go-To Wall

Installation Manual

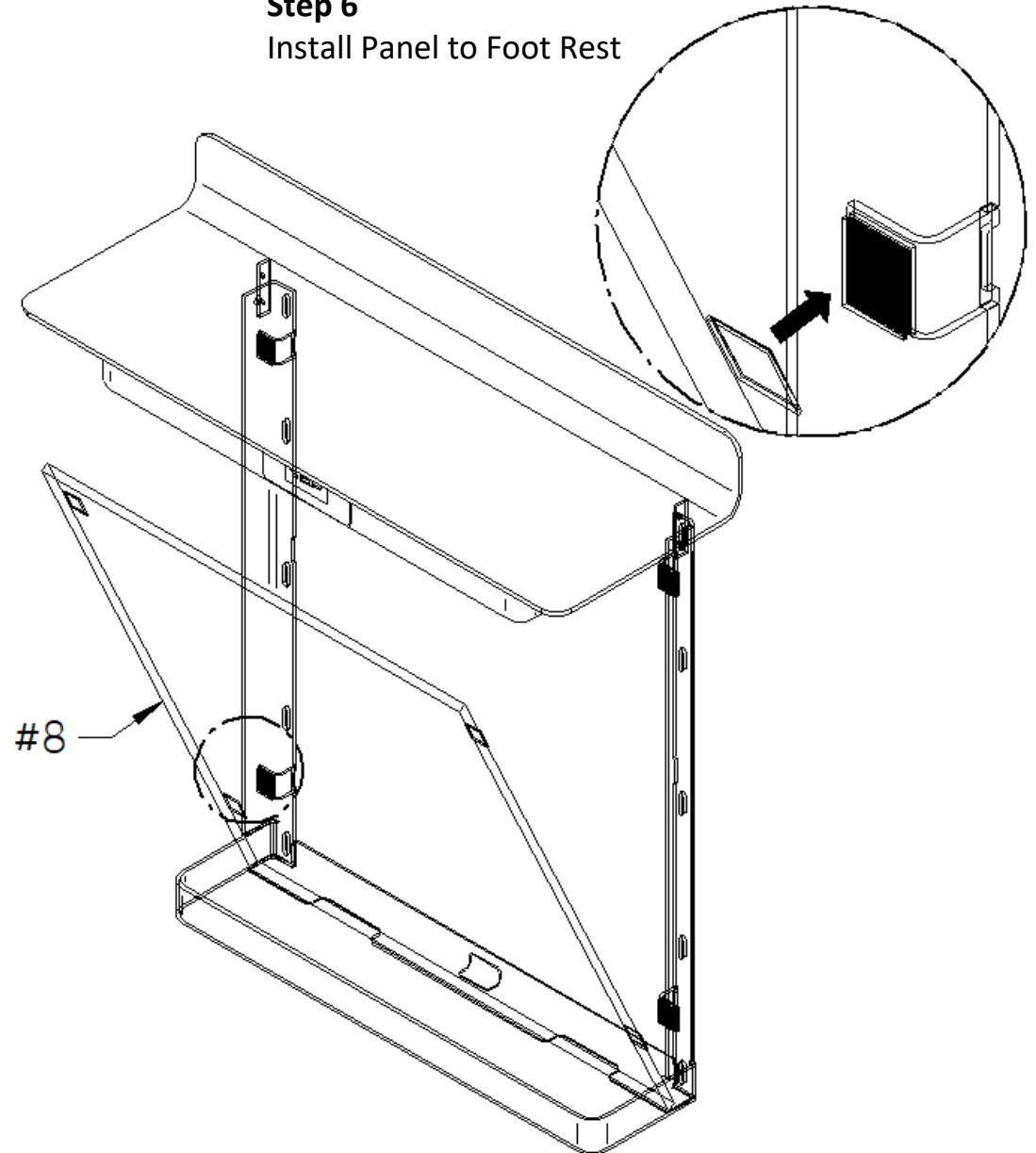
Step 5

Install Shelf Liner to Shelf



Step 6

Install Panel to Foot Rest





PETER PEPPER PRODUCTS

Go-To Wall

Installation Manual

Step 7

Install Hooks to Bottom of Shelf

