



PETER PEPPER PRODUCTS  
EXPRESSIVE ESSENTIALS™

## PRICE LIST & SPECIFICATIONS

Effective September 1, 2022

All Prices are Suggested List Price

Updated 08.01.24

## Section 9

---

### SHOWCASE COLLECTION

PepperMint® & MiniMint®

*Freestanding*

*Wall Mounted*

*Counter Top*

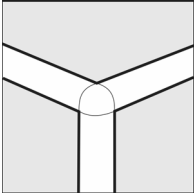
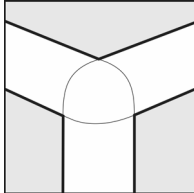
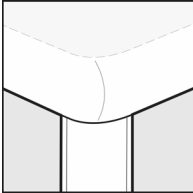
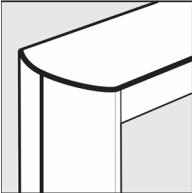

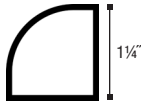
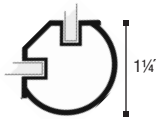
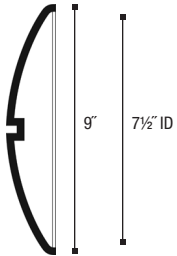


OSHPD Seismic Compliant  
Anchorage in California



# Specifications PepperMint® & MiniMint® Showcase Collection

## Aluminum Extrusion Profiles

Mini Quarter Round	Quarter Round	Circular	Elliptical
<b>Model</b> MMW	<b>Model</b> PMC-B PMS-E PMC-GL PMS-E-GL PMS-B PMW PMS-GL	<b>Model</b> US USZ USZ-B	<b>Model</b> ESZ ESW-Z ESZ-B ESW-S REW
			
			

## Standard Features

**All models are assembled, crated and shipped by truck.**

**Frame Finishes:** Natural Anodized Aluminum or PPP Color. Upcharge for PPP Color.

**Glass:** Sliding doors, panels and tops:  $\frac{5}{32}$ " thick tempered glass. Gliding or hinged doors, counter & tops:  $\frac{1}{4}$ " thick tempered glass.

**Adjustable Shelving:**  $\frac{1}{4}$ " thick tempered glass on models thru 42" wide and models 60" to 72" wide with center shelf support.  $\frac{3}{8}$ " thick non-tempered glass on models 48" wide. Exposed edges are polished. Concealed edges cushioned with anti-rattle extrusions.

**All Doors:** Always on width side of showcase, unless otherwise specified.

**Hinged Doors:** On all 24" width models. Plate hinges on models with 48" door height or more.

**Sliding Doors:** On models where door width exceeds 24" and door height is less than 36", except model PMC-GL. Doors slide smoothly in plastic track.

**Gliding Doors:** On PMS models, doors glide on roller bearings, in an aluminum track.

**Locks:** Included on all hinged, sliding and gliding doors.

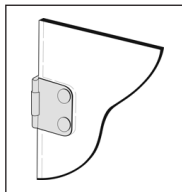
**Bottom Shelf:**  $\frac{5}{8}$ " thick particle board, melamine finish.

**Wall Mounting Cleat/Bracket:** Included, with hardware.

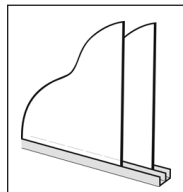
**Adjustable Foot Glides:** Included on freestanding models.

9

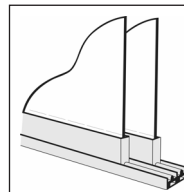
Plate Hinge



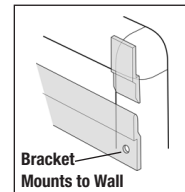
Sliding Door in Plastic Track



Gliding Door in Aluminum Track



Wall Mount



## Panels

Hardboard panels available in any PPP Color. See PPP Color Card.

**COM:** Customer's Own Material. See COM Shipping instructions next page.



# Options

## Plinths

Optional on models PMS, US and USZ.

Black finish standard.

Adjustable foot glides included. Plinth height adds to total height of case.

	<b>List</b>
2" height .....	\$ 199
4" height .....	260
6" height .....	320

## Lockable Casters - 2"

Available on models ES, US, PMS and PMC

Case Width

24" to 48" wide..... Set of 4 .....	302
Over 48" to 72" wide..... Set of 6 .....	380

## Lockable Accessible Storage

Optional on models PMS-B, PMS-E, PMS-E-GL and USZ-B, 24" width or more ..... 352

Includes sliding hardboard door panels with integral key lock. Available in any PPP Color. *See PPP Color Card.*

## Replacement Lock & Keys

Hinged Doors .....	97
Sliding Doors .....	63
Gliding Doors .....	113

## Replacement Shelf Pins

*Specify model* ..... 11 ea.

## Replacement Wall Mount Cleat

Top & bottom brackets - Per Lineal Foot ..... 16

## Back Panel

Hardboard back panel: Available in any PPP Color. *See PPP Color Card* ..... 182

## Grommets - 2"

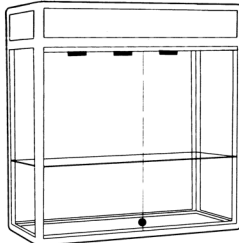
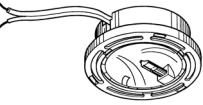
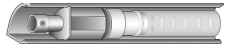
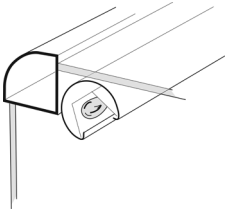
*Please contact factory to specify location* ..... 93

## Specials

Custom showcase sizes available. Please submit your requirements to [specials@peterpepper.com](mailto:specials@peterpepper.com).



# Optional Lighting System Specifications



**PMW-S**  
Illustrated with optional Recessed Lighting. Linear or Fluorescent Lighting also available on PMW-S & MMW-S

## Linear Lighting, Low Voltage LED

LED lamps are one of the smallest, hi-intensity light sources available. Spaced 9" to 12" apart, this energy-efficient linear lighting provides multiple-point sources for a brighter, whiter light that gives extraordinary brilliance to the merchandise. Ideal for products, awards, trophies, jewelry and glassware displays.

### Mounting

Linear lighting mounted in a 1 1/4" diameter aluminum extrusion at top front of display case, door side unless otherwise specified. The transformer is remotely mounted in base, plinth, soffit or under bottom panel of models PMS-L, PMS-C and PMS-Q.

**When ordering models PMS-GL or USZ, specify 4" or 6" plinth for transformer mounting area.**

**Finishes:** Natural Anodized Aluminum.

### Standard Equipment (UL Listed)

Showcase light, downtube, flex, transformer, switch and 6' power cord.

- 2,500 lumens, 137 lpw
- 60 diodes per inch.
- Instant On and Flicker Free
- Lumens: 2000
- Color Temp: 5000
- Warranty: 5 years
- Rated Life: 50,000 Hour Life

### Recommended Lighting

Case Width	Lamp Width	List	Case Width	Lamp Width	List
24" - 30"	18"	\$ 994	48" - 60"	45"	\$ 1,274
36"	33"	1,160	72"	70"	1,426
42"	39"	1,160			

Custom case lighting on request.

## Recessed Lighting, Low Voltage LED

LED lighting system is designed for recessed mounting.

Soffit areas conceal the transformer & fixtures in the top or bottom area of the showcase.

LED lighting provides brighter, whiter light that gives extraordinary brilliance to the merchandise.

Recessed lighting may also be incorporated into custom showcases.

### Mounting

The LED fixtures are equally spaced and recessed into the top inside panel of the display area.

Trim ring is 2 3/4" dia. and extends 1/4" below the finished panel. The top inside panel finish is black.

The transformer is remotely mounted in the soffit area. A 10' power cord exits at the top rear panel of the soffit on models ESW-S, PMW-S, and MMW-S.

On models PMS-E, ESZ, ESZ-B, US, USZ and USZ-B, the cord exits at the bottom of the case.

Not available on Model US (S) Spacer Top.

### Finishes

**Standard finish:** Black. Fixture housings and trim rings are made of high temperature polycarbonate injection molded resin. The reflector system is made of high-grade aluminum, bright-dipped and anodized for maximum performance. The trim rings have a 3mm thick tempered clear glass lens which meets UL requirements.

### Standard Equipment (UL Listed)

12 volt LED lamps, housing with trim rings and transformer with 10' power cord and switch. Additional fixtures available. Please submit your requirements.

### Lighting Specifications

- Bulb: 12 volt LEDP module 60WH-3020 @ 2.4 Watts each module uses 24PCS of 5MM LED's.
- Color Temp: 6000K White.
- Luminous Flux: 150 LM.
- Lifespan: Up to 50,000 hours.
- Transformer: 120 volt, AC, 12 volt secondary @ 1 amp.

### Note

Low voltage LED lamps are low-heat, UV safe and acceptable for museum/archival materials.

### Recommended Lighting

Case Width	No. of Lamps	List	Case Width	No. of Lamps	List
24"	2	\$ 669	60"	5	\$ 1,418
30" - 36"	3	856	72"	6	1,604
42" - 48"	4	1,259			

Custom case lighting on request.

### Models PMS-GL and PMS-B

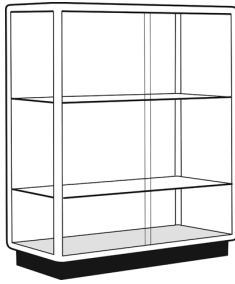
- Add \$800 List for the addition of a lighting soffit area.
- When ordering model PMS-GL specify a plinth for transformer mounting area.



# PepperMint® Showcases

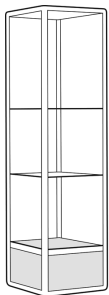
Model PMS-GL • All Glass

Model PMS-B • Panel Base

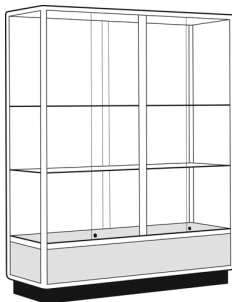


**PMS-GL**

Illustrated with optional plinth.



**PMS-B**



**PMS-B, 72" w**

Illustrated with 2 sets of gliding doors and optional plinth.

12"



Aluminum Quarter Round

© 9/2022

Size W H D	Door Type PMS-GL	Door Type PMS-B	PMS-GL		PMS-B	Upcharge PPP Color Frame	NET Crating Charge	Est. Ship Wt.
			PMS-GL	PMS-B				
24 72 15	Hinged	Hinged	\$ 5,523	\$ 5,835	\$ 552	\$ 364	213*	
24 72 18	"	"	5,776	6,072	578	381	234*	
24 72 24	"	"	6,286	6,426	629	411	276*	
30 72 15	Gliding	Gliding	6,250	6,426	625	395	252*	
30 72 18	"	"	6,529	6,683	653	411	275*	
30 72 24	"	"	7,089	7,207	709	441	322*	
36 36 15	Gliding	Gliding	4,667	4,087	467	331	164*	
36 36 18	"	"	4,860	4,253	486	347	180*	
36 36 24	"	"	5,240	4,591	524	372	214*	
36 72 15	Gliding	Gliding	6,731	6,888	673	420	286*	
36 72 18	"	"	7,032	7,204	703	438	313*	
36 72 24	"	"	7,640	7,727	764	466	364*	
42 72 15	Gliding	Gliding	7,208	7,352	721	445	322*	
42 72 18	"	"	7,536	7,650	754	463	350*	
42 72 24	"	"	8,192	8,252	819	491	408*	
48 72 15	Gliding	Gliding	8,561	8,473	856	470	389*	
48 72 18	"	"	9,057	8,900	906	485	427*	
48 72 24	"	"	10,052	9,758	1,005	513	505*	
†72 48 18	Gliding	Gliding	9,935	9,931	994	502	401*	
†72 60 18	"	"	10,890	10,881	1,089	541	465*	
†72 72 18	"	"	12,389	12,383	1,239	576	548*	
†72 48 24	Gliding	Gliding	10,680	10,564	1,068	530	467*	
†72 60 24	"	"	11,664	11,550	1,166	564	534*	
†72 72 24	"	"	13,323	13,208	1,332	605	630*	

† 72" width models include 2 sets of doors, center frame and center shelf supports.

### Options

Plinth: 2" h, 4" h or 6" h. Black finish. See page 102.

Lighting: See page 103.

Lockable Accessible Storage on Model PMS-B..... \$ 352

Hardboard back panel: Any PPP Color. Replaces glass. See PPP Color Card..... 182

Shipped by Truck\*

### To Order Specify

- Quantity
- Model PMS-GL or PMS-B
- Frame Finish Code. Upcharge for PPP Color
- Size: W x H x D
- PMS-B Panel Base: PPP Color
- Add NET Crating Charge**
- Options**

### Finishes

- RA** Natural Anodized Aluminum  
**RC** PPP Color - Upcharge

See PPP Color Card

### Specifications

- Adjustable shelves: 1/4" thick tempered glass, 3/8" thick non-tempered glass on 48" wide models.
- Glass shelves included: PMS-GL: 36" h - 2 48" h - 3 60" h - 3 72" h - 4  
PMS-B: 36" h - 1 48" h - 2 60" h - 2 72" h - 3
- Doors are on width side of showcase, unless otherwise specified. Door locks included.
- PMS-B models feature 12" h hardboard panel base available in any PPP Color.
- Bottom shelf finish: Black melamine.
- Adjustable foot glides included.



# PepperMint® Freestanding Counters & Etageres

Model PMC-GL • All Glass

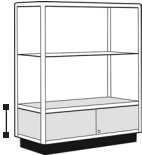
Model PMS-E-GL • All Glass

Model PMC-B • Panel Base

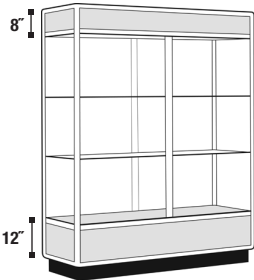
Model PMS-E • Open Display



PMC-GL

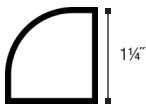


PMC-B



PMS-E-GL, 72" w

Illustrated with Optional Plinth



Aluminum Quarter Round

## PMC-GL & PMC-B • Freestanding Counters

Size								
W	H	D	PMC-GL	PMC-B	Upcharge PPP Color Frame	NET Crating Charge	Est. Ship Wt.	
48	42	20	\$ 6,340	\$ 5,469	\$ 634	\$ 416	275*	
48	42	24	6,758	5,812	676	431	309*	
† 72	42	24	9,233	7,931	923	509	396*	

† 72" width models include 2 sets of doors, center frame and center shelf supports.

### Options

Lighting: *See page 103.*

Shipped by Truck\*

## PMS-E & PMS-E-GL • Freestanding Etageres

Size								
W	H	D	Door Type PMS-E-GL	PMS-E	PMS-E-GL	Upcharge PPP Color Frame	NET Crating Charge	Est. Ship Wt.
48	84	18	Gliding	\$ 6,322	\$ 9,251	\$ 632	\$ 513	406*
48	84	24	"	6,997	10,098	700	544	491*
† 60	84	18	Gliding	8,300	12,651	830	564	477*
† 60	84	24	"	9,154	13,652	915	596	557*
† 72	84	18	Gliding	9,049	13,808	905	610	586*
† 72	84	24	"	10,020	14,931	1,002	641	623*

† 60" & 72" width models include center frame and center shelf supports.

† 60" & 72" width GL models include 2 sets of gliding doors.

### Options

Plinth: 2" h, 4" h or 6" h. Black finish. *See page 102.*

Lighting: *See page 103.*

Lockable Accessible Storage..... \$ 352

Hardboard back panel: Any PPP Color. Replaces glass. *See PPP Color Card*..... 182

Shipped by Truck\*

## To Order Specify

- Quantity
- Model: PMC-GL, PMC-B, PMS-E or PMS-E-GL
- Frame Finish Code. Upcharge for PPP Color
- Size: W x H x D
- Panel Base: PPP Color (except Model PMC-GL)
- Add NET Crating Charge**
- Options

### Finishes

- RA** Natural Anodized Aluminum  
**RC** PPP Color - Upcharge

*See PPP Color Card*

## Specifications

### PMC-GL & PMC-B:

- PMC-GL models: Feature total glass enclosure, includes 2 shelves. Gliding lockable doors. Door locks included.
- PMC-B models: Glass display height of 26". Includes 1 shelf. Sliding lockable doors. Hardboard panel base with accessible locking storage and available in any PPP Color.
- Plinth: 4", black finish. Adjustable foot glides included.
- Tempered glass throughout with flush mounted top glass, 1/4" thick.
- Doors are on width side of showcase, unless otherwise specified. Door locks included.
- Adjustable shelves: 1/4" thick tempered glass, 3/8" thick non-tempered glass on 48" wide models.
- Bottom shelf finish: Black melamine.

### PMS-E & PMS-E-GL:

- PMS-E features open frame display. No glass front, sides or back.
- PMS-E-GL features a glass enclosure with top and base panels. Doors are on width side of showcase, unless otherwise specified. Door locks included.
- Hardboard base panel 12" h and top panel 8" h available in any PPP Color.
- Top panel area can accommodate lighting. For lighting, *See page 103.*
- Adjustable shelves (3), 3/8" thick non-tempered glass.
- Bottom shelf finish: Black melamine.
- Adjustable foot glides included.

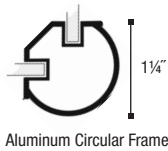


# PepperMint® Showcases

Model US • All Glass with Wood Tops



**US**  
Shown with Traditional Top Detail and Optional Plinth



Size W	H	D	Door Type	No. of Shelves	All Glass US	Upcharge PPP Color Frame	NET Crating Charge	Est. Ship Wt.
24	72	24	1 Hinged	4	\$ 5,209	\$ 521	\$ 411	278*
30	60	24	2 Hinged	3	6,055	605	411	272*
30	72	24	"	4	6,845	685	441	320*
30	72	30	"	4	7,356	736	463	367*
36	72	18	2 Hinged	4	6,743	674	438	307*
36	72	24	"	4	7,313	731	466	362*
42	72	18	2 Hinged	4	7,156	716	463	345*
42	72	24	"	4	7,783	778	491	402*

### Options

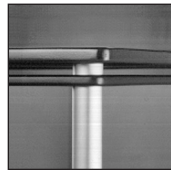
Plinth: 2'h, 4'h or 6'h. Black finish. *See page 102.*

Recessed lighting. Plinth required. Not available on **(S)** Spacer Top. *See page 103.*

Hardboard back panel: Any PPP Color. Replaces glass. *See PPP Color Card* ..... \$ 182

Shipped by Truck\*

### Tops Available



**(S)** Spacer Top  
PPP Color Only

### To Order Specify

- Quantity
- Model: US
- Frame Finish Code. Upcharge for PPP Color
- Size: W x H x D
- Top Finish: PPP Color Selection
- Add NET Crating Charge**
- Options**

### Finishes

- A** PPP Color
- CH** Cherry
- LC** Light Cherry
- HO** Honey
- K** Oak
- KS** Medium Oak
- MA** Natural Maple
- MM** Mahogany
- LW** Light Walnut
- W** Walnut

### Frame Finishes

- RA** Natural Anodized Aluminum
- RC** PPP Color - Upcharge

*See PPP Color Card or Web*

### Specifications

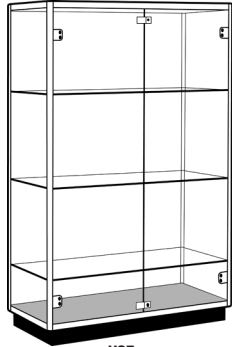
- Hinged, locking door, 1/4" thick tempered glass with polished edge. Door locks included.
- Adjustable shelving: 1/4" thick tempered glass.
- Bottom shelf: Black finish.
- Adjustable foot glides included.



# PepperMint® Showcases

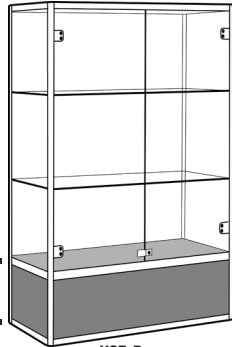
Model USZ • All Glass

Model USZ-B • Panel Base

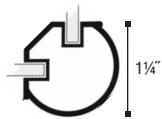


USZ

Shown with Optional Plinth



USZ-B



Aluminum Circular Frame

Size	W	H	D	Door Type	No. of Shelves		All Glass USZ	Panel Base USZ-B	Upcharge PPP Color Frame	NET Crating Charge	Est. Ship Wt.
					USZ	USZ-B					
24	72	18	1 Hinged	4	3	\$ 5,437	\$ 5,725	\$ 544	\$ 381	223*	
24	72	24	"	4	3	5,897	6,169	590	411	264*	
30	72	18	2 Hinged	4	3	6,950	7,216	695	411	259*	
30	72	24	"	4	3	7,458	7,698	746	441	305*	
36	72	18	2 Hinged	4	3	7,359	7,621	736	438	294*	
36	72	24	"	4	3	7,917	8,144	792	466	344*	
42	72	18	2 Hinged	4	3	7,779	8,026	778	463	329*	
42	72	24	"	4	3	8,382	8,587	838	491	385*	

## Options

Plinth: 2'h, 4'h or 6'h. Black finish. See page 102.

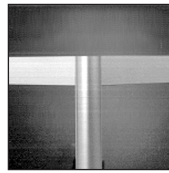
Linear and recessed lighting. Requires 4'h or 6'h Plinth. See page 103.

USZ-B Only: Lockable Accessible Storage .....\$ 352

Hardboard back panel: Any PPP Color. Replaces glass. See PPP Color Card .....182

Shipped by Truck\*

## Top Detail



Aluminum (Z)

## To Order Specify

- Quantity
- Model: USZ or USZ-B
- Frame Finish Code. Upcharge for PPP Color
- Size: W x H x D
- Panel Base: USZ-B only: PPP Color
- Add NET Crating Charge**
- Options**

## Frame Finishes

- RA** Natural Anodized Aluminum
- RC** PPP Color - Upcharge

See PPP Color Card or Web

## Specifications

- USZ model includes top and bottom door locks.
- Hinged, locking doors, 1/4" thick tempered glass with polished edges. Door locks included.
- Adjustable shelves: 1/4" thick tempered glass.
- USZ-B models feature 12" hardboard panel base available in any PPP Color.
- Bottom shelf finish: Black melamine.
- Adjustable foot glides included.







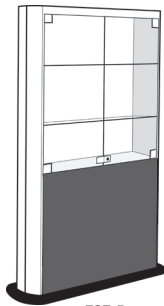
# PepperMint® Showcases

Model ESZ • All Glass

Model ESZ-B • Panel Base

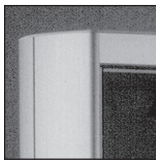


ESZ

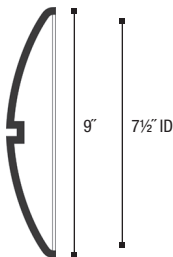


ESZ-B

### Top Details



ESZ



Frame Finish  
Natural Anodized Aluminum

Size W	H	D	Door Type	No. of Shelves*		All Glass ESZ	Panel Base ESZ-B	NET Crating Charge	Est. Ship Wt.
				ESZ	ESZ-B				
32	60	9	2 Hinged	3	2	\$ 5,262	\$ 4,687	\$ 372	207*
32	72	9	2 Hinged	4	3	5,823	5,598	406	241*
36	60	9	2 Hinged	3	2	5,475	4,875	385	225*
36	72	9	2 Hinged	4	3	6,070	5,822	406	262*
42	60	9	2 Hinged	3	2	5,787	5,262	411	253*
42	72	9	2 Hinged	4	3	6,429	6,148	441	295*

### Options

Hardboard back panel: Any PPP Color. Replaces glass. See PPP Color Card ..... \$ 182

Recessed Lighting available on ESZ & ESZ-B models. See page 102-103.

Upcharge PPP Color frame ..... 15%

\*30" panel base models include one less shelf

Shipped by Truck\*

### To Order Specify

- Quantity
- Model: ESZ, ESZ-B
- Size: W x H x D
- Panel Base Finish: Model ESZ-B only
- Add NET Crating Charge**
- Options

### Finishes

<b>A</b>	PPP Color	<b>MA</b>	Natural Maple
<b>CH</b>	Cherry	<b>MM</b>	Mahogany
<b>LC</b>	Light Cherry	<b>LW</b>	Light Walnut
<b>HO</b>	Honey	<b>W</b>	Walnut

See PPP Color Card or Web

### Specifications

- Hinged locking doors, 1/4" tempered glass with polished edges. Door locks included.
- ESZ models include top and bottom door locks.
- ESZ-B models feature 30" h panel base, available in melamine wood finish or any PPP Color.
- Adjustable shelves in 2" increments, 1/4" thick tempered glass.
- Interior Depth: 7 3/4". Interior sides and bottom finish: Cool Grey melamine.
- Base: Black finish. Depth: 16". Width: width of case plus 5". Adjustable foot glides included.





# PepperMint® Wall Mounted Showcases

Model ESW-Z

Model ESW-S with Lighting Soffit

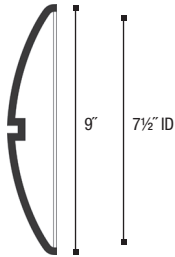


ESW-Z



ESW-S

With Recessed Lighting



Side Frame Finish  
Natural Anodized Aluminum

Size W	H	D	Door Type	No. of Shelves	ESW-S No. of Lights			NET Crating Charge	Est. Ship Wt.
						ESW-Z	Lighting Included ESW-S		
36	24	9	Sliding	1	2	\$ 2,246	\$ 2,972	\$ 230	87*
36	36	9	"	2	2	2,833	3,561	306	121*
36	42	9	"	3	2	3,191	3,916	319	141*
48	36	9	Sliding	2	3	3,590	4,511	347	157*
48	42	9	"	3	3	4,163	5,085	359	183*

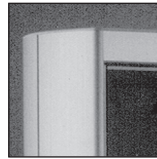
## Options

Recessed Lighting for Model ESW-S. See page 103.

Upcharge PPP Color frame ..... 15%

Shipped by Truck\*

### Top Details



ESW-Z

### Soffit Details



ESW-S

## To Order Specify

- Quantity
- Model: ESW-Z or ESW-S
- Size: W x H x D
- ESW-S Soffit: PPP Color
- Back Panel: PPP Color
- Add NET Crating Charge
- Options

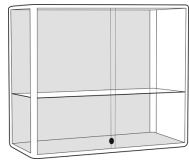
## Specifications

- Model ESW-S features 6" lighting soffit. Includes recessed low voltage lighting. Soffit panel insert available in any PPP Color.
- Sliding locking doors, 5/32" tempered glass with polished edges. Door locks included.
- Adjustable shelving in 2" increments: 1/4" thick tempered glass, 3/8" thick non-tempered glass on 48" w models.
- Hardboard back panel in any PPP Color.
- Interior sides and bottom shelf finish: Cool Grey melamine. ESW-Z and ESW-S Top, 1/8" Cool Grey MDF.
- Wall mounting cleat/bracket and hardware included.



# PepperMint® & MiniMint® Wall Mounted Showcases

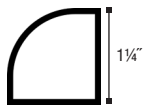
Models PMW & PMW-S with 4" Lighting Soffit  
Models MMW & MMW-S with 4" Lighting Soffit



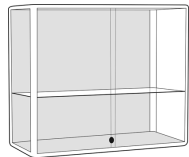
PMW



PMW-S  
with 4" Lighting Soffit  
Illustrated with optional  
recessed lighting.



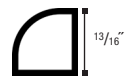
PMW Frame  
Quarter Round



MMW



MMW-S  
with 4" Lighting Soffit  
Illustrated with optional  
recessed lighting.



MMW Frame  
Mini Quarter Round

## PepperMint PMW & PMW-S

Size W	H	D	Door Type	Glass Shelves	PMW	PMW-S	Upcharge PPP Color Frame	NET Crating Charge	Est. Ship Wt.
42	36	12	Sliding	2	\$ 3,661	\$ 4,330	\$ 366	\$ 339	157*
42	42	9	Sliding	2	3,850	4,503	385	339	152*
42	42	12	"	2	4,096	4,766	410	355	180*
48	42	9	Sliding	3	4,541	5,234	454	359	187*
48	42	12	"	3	4,921	5,624	492	376	218*

### Options

Models PMW-S & MMW-S features 4" lighting soffit. For optional lighting systems, *See page 103.*

Shipped by Truck\*

## MiniMint MMW & MMW-S

Size W	H	D	Door Type	Glass Shelves	MMW	MMW-S	Upcharge PPP Color Frame	NET Crating Charge	Est. Ship Wt.
30	36	7	Sliding	3	\$ 2,972	\$ 3,519	\$ 297	\$ 240	91*
36	30	7	Sliding	2	2,861	3,432	286	240	90*
36	36	7	"	3	3,209	3,778	321	260	106*

### Options

Models PMW-S & MMW-S features 4" lighting soffit. For optional lighting systems, *see page 103.*

Shipped by Truck\*

### To Order Specify

- Quantity
- Model: PMW, PMW-S, MMW or MMW-S
- Frame Finish Code. Upcharge for PPP Color
- Size: W x H x D
- Back Panel and/or Soffit: PPP Color
- Add NET Crating Charge**
- Options**

#### Frame Finishes

- RA** Natural Anodized Aluminum  
**RC** PPP Color - Upcharge

*See PPP Color Card or Web*

### Specifications

- Models PMW-S and MMW-S feature 4" soffit. Soffit panel insert in any PPP Color.
- Hardboard back panel: any PPP Color.
- Adjustable shelving: 1/4" thick tempered glass, 3/8" thick non-tempered glass on 48" w models.
- Sliding locking doors, 5/32" tempered glass with polished edges. Door locks included.
- Bottom shelf finish: Black melamine.
- Wall mounting cleat/bracket and hardware included.
- For recessed wall mounted showcases, please submit your requirements.





Price List Download at [peterpepper.com](http://peterpepper.com)

