



# COHORT

## MOBILE PEDESTAL

[PRICE LIST + SPECIFICATIONS](#)

Effective May 15, 2024

All Prices are Suggested List Price



# COHORT

## MOBILE PEDESTAL

### REVISIONS

05.15.24

Product Launch





# COHORT

## MOBILE PEDESTAL

### TABLE OF CONTENTS

Laminate Finishes	4-5
Pulls & Straps	6
Locks	7
Product Details	8-11
Box File Pedestal Style	12
Cabinet Styles	13
Tambour Style	13
The Workhorse	14
Accessories	15
Warranty, Terms and Conditions	16



# LAMINATE FINISHES

"T1" STANDARD THERMOFUSE LAMINATE (TFL)



Matching 2MM PVC edgbanding is available for all Standard TFL finishes shown here.  
For HPL match information please visit [peterpepper.com/finishes](http://peterpepper.com/finishes)

# LAMINATE FINISHES

## "T2" PREMIUM TEXTURED THERMOFUSE LAMINATE (TFL)



Premium TFLs require a 10% upcharge. Add item code POP-TTFL-1. Matching 2MM PVC edgbanding is available for all Premium TFL finishes shown here. For HPL match information please visit [peterpepper.com/finishes](http://peterpepper.com/finishes)

## HIGH PRESSURE LAMINATE (HPL)

### STANDARD HPL

- Pricing shown in this price list applies only to non-premium HPLs as follows:
- Wilsonart: Solids, Woodgrains, and Abstracts in Matte (-60) finish,
  - Formica: Color Portfolio, Woodgrains, and Patterns in Matte (-58) finish
  - Pionite: Solids, Woodgrains, and Abstracts in Suede (N) finish
  - Arborite: Solids, Woodgrains, Textures and Abstracts in Matte (CA) finish
  - Nevamar: Solids, Woodgrains, Stones and Abstracts in ARP (-T) finish

A minimum charge of \$520 net per HPL color will be applied to each order.

Call customer service for pricing for all other HPLs.

Additional lead times required for HPL orders depending on material availability and order complexity. HPL is always available with Peter Pepper Products standard 2MM edgbanding. Special order matching PVC 2MM edgbanding may be available for orders \$25,000 List or larger, call customer service for pricing.

### ACCENT EDGE BANDING OPTIONS



# PULLS + STRAPS

## STANDARD DOOR/DRAWER PULLS

Pulls are included on all drawers and cabinet doors for no upcharge.



101SN



101BL



105SN



115SN



115BL



201SN



125SN\*



125BL\*



201BL

\*The 125SN/BL pull is 7.5" long.

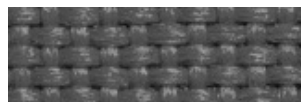
On smaller (< 10" wide) cabinet doors a 3" pull in the same style designated 123SN/BL will be used.

## STRAPS

Nylon web straps are featured on the 3 largest Cohort styles for ease of transport.



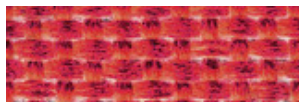
Black (BL)



Storm Grey (SY)



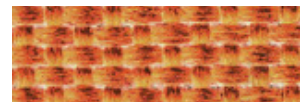
Arctic Blue (AB)



Red (RD)



Scale Green (SG)



Tangerine (TN)

# LOCKS

## KEY LOCK



**DETAILS**

- 2 keys per lock
- Can "key alike" with other Peter Pepper Products laminate furniture. Use code PAC LOCK-101 to -200 for \$19 List each to specify key number

To order Master Key use PAC-LOCK-MSTR for \$118 list.

## DIGITAL LOCK



**DETAILS**

- Brushed nickel finish and black keypad with numbers
- Horizontal body orientation
- All metal lock housing and manual dead bolt (turn knob)
- Operated with user selected 4-digit code
- Shared use application
- Override and power bypass
- Visual and audible indicator
- Powered by 2 lithium CR2450 batteries, battery life is 180,000 cycles with average use

To specify this digital lock in place of of a key lock on any cabinet door, add PAC-LOCK-DIG2-SLV for \$405 list.

## PROGRAMMING KEY



**DETAILS**

- One (1) programming key is required for each installation
- Initializes new locks
- Registers manager bypass key
- Overrides user access
- Allows management audit/inspection
- Provides external power

To specify, add PAC-LOCK-VRSA-PKEY for \$164 list.

## MANAGER KEY



**DETAILS**

- Minimum one (1) manager key is required for each installation, multiple keys may be used
- Assigns access credential(s)
- Overrides user access (in assigned use functionality)
- Allows management audit/inspection
- Provides external power

To specify, add PAC-LOCK-VRSA-MKEY for \$117 list.

## ADA OPTIONS

US Access Board requires 5% of all locks to be ADA compliant.

### ADA COMPLIANT KNOB



Allows door to be opened with one hand and does not require tight grasping, pinching or twisting of the wrist.

To promote universal access, Peter Pepper Products provides the ADA knob by default at no additional charge unless otherwise specified.

### USER KEY



Allows user to operate the lock without using a user code. One key per locker.

To specify, add PAC-LOCK-VRSA-UKEY for \$54 list.

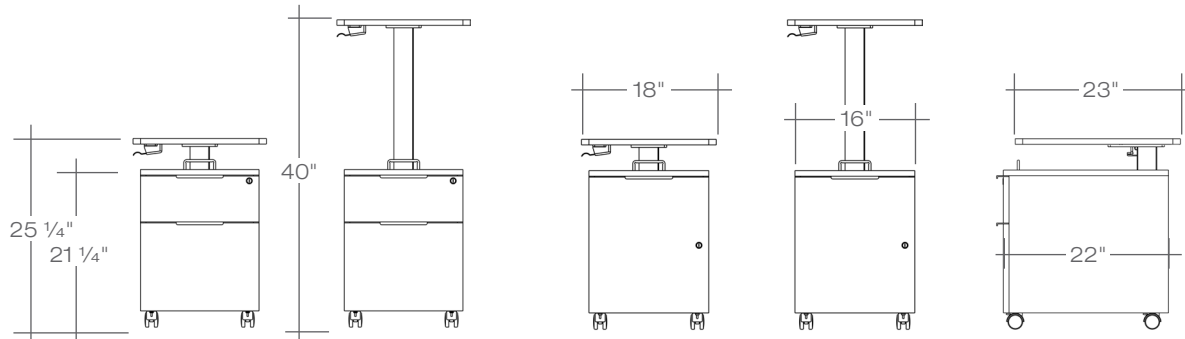


# MOBILE PEDESTAL

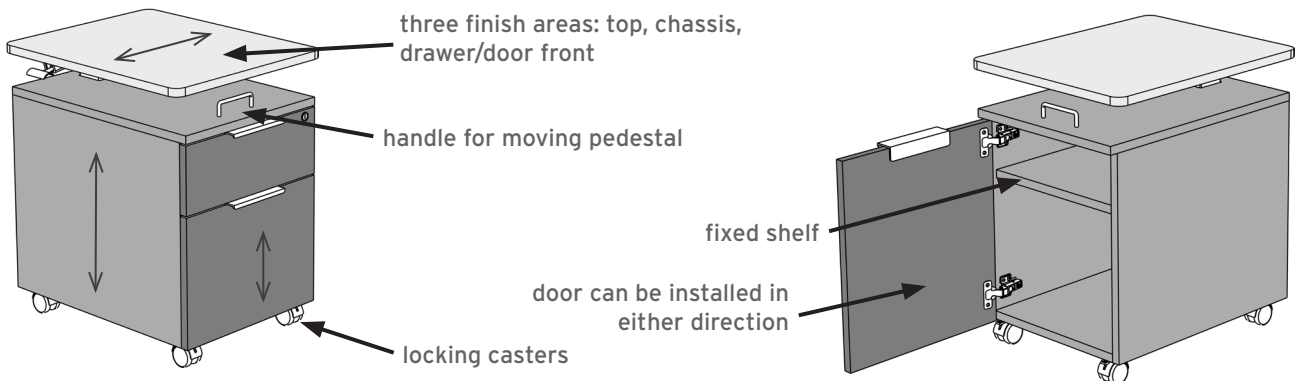


## DETAILS

- All 3/4" thick panels in TFL or HPL with Peter Pepper Products standard 2MM PVC edge banding.
- Locking box drawer and file drawer set or single door cabinet.
- Pneumatic height adjustable column with easy one-handed lever operation.
- 2" locking casters.
- Ships assembled. The weight of the box-file unit is 82lbs.



## FINISHES AND GRAIN DIRECTION





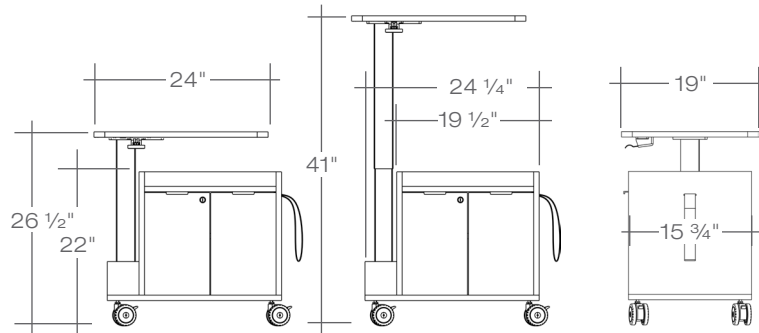


## TWO-DOOR CABINET

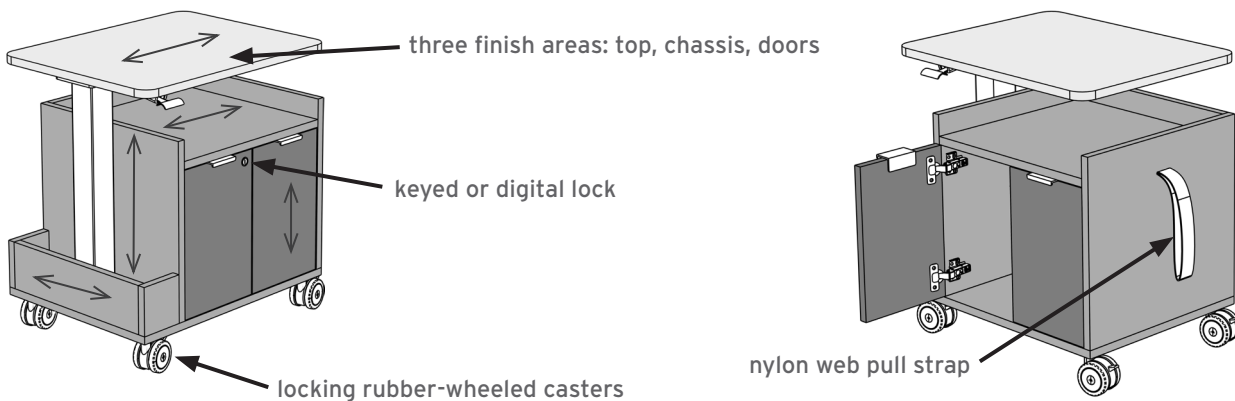


### DETAILS

- All 3/4" thick panels in TFL or HPL with Peter Pepper Products standard 2MM PVC edge banding.
- Locking double door cabinet.
- Pneumatic height adjustable column with easy one-handed lever operation.
- Nylon web pull strap, available in 6 colors to match Peter Pepper Products contrast edgebanding.
- 3" locking casters with "quiet" wheels.
- Ships assembled. The weight of the 2 door cabinet unit is 61 lbs.



### FINISHES AND GRAIN DIRECTION



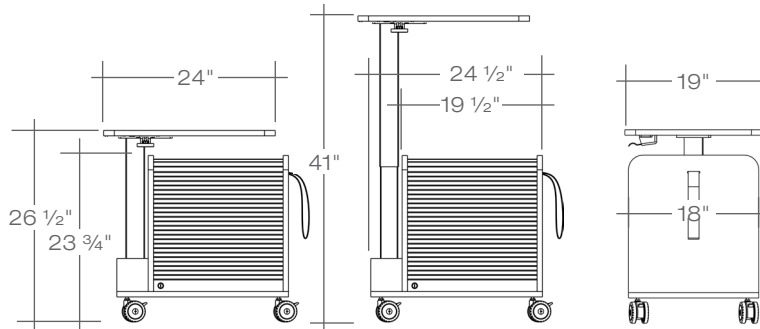


# TAMBOUR CABINET

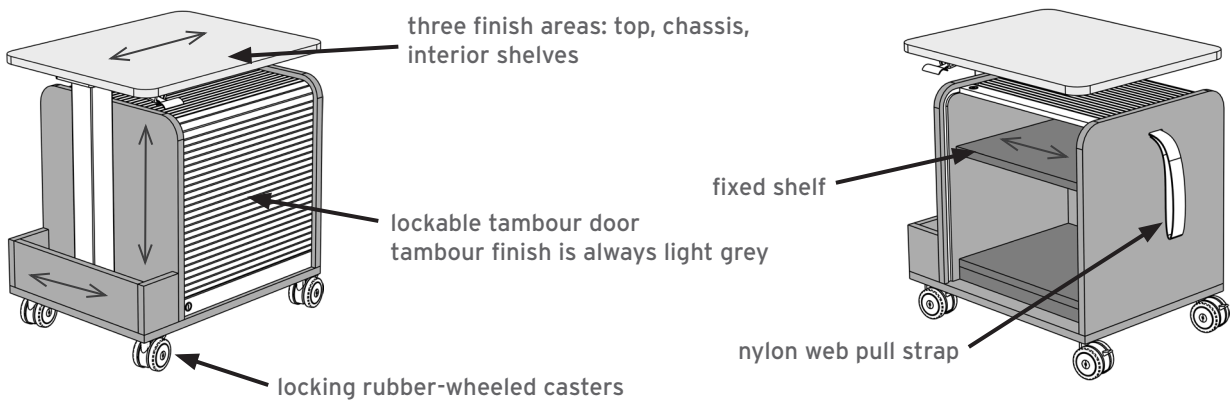


## DETAILS

- All 3/4" thick panels in TFL or HPL with Peter Pepper Products standard 2MM PVC edge banding.
- Lockable tambour door.
- Tambour door comes standard with Anti-Slam hardware for a quiet close.
- 3" locking casters with "quiet" wheels.
- Pneumatic height adjustable column with easy one-handed lever operation.
- Ships assembled. The weight of the tambour unit is 65lbs.



## FINISHES AND GRAIN DIRECTION



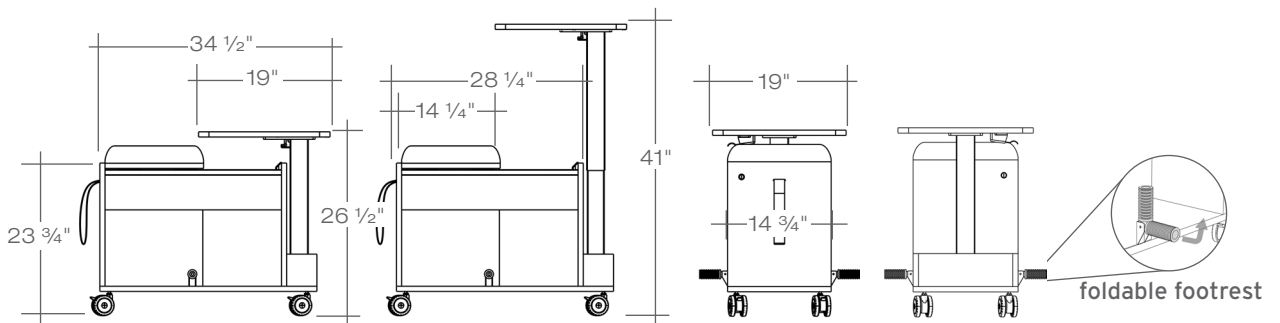


# THE WORKHORSE

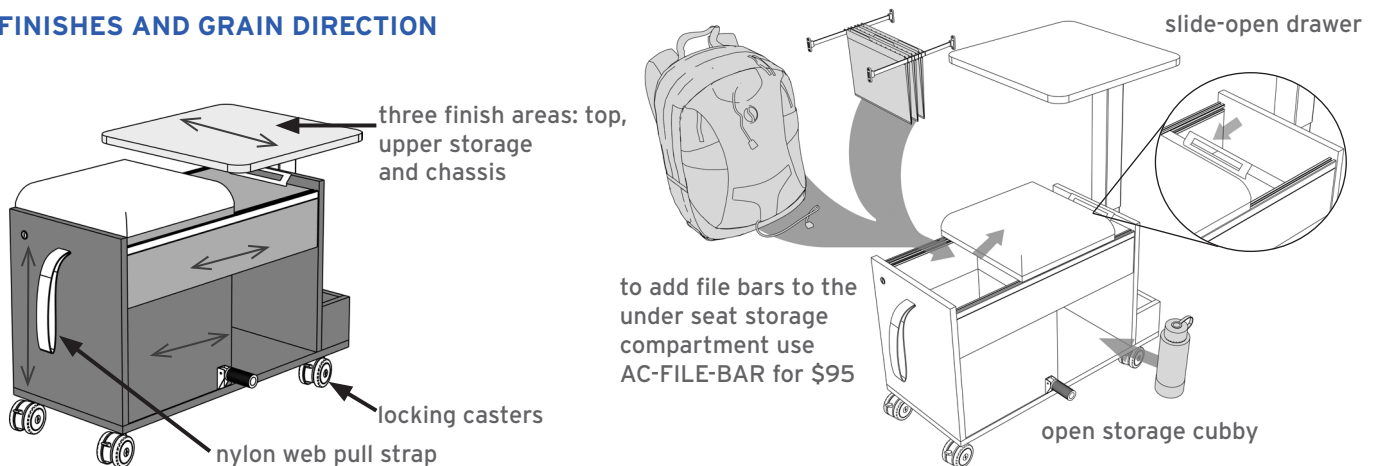


## DETAILS

- All 3/4" thick panels in TFL or HPL with Peter Pepper Products standard 2MM PVC edge banding.
- Seated workbench with cushion. See website for fabric options.
- Pneumatic height adjustable column with easy one-handed lever operation.
- Nylon web pull strap, available in 6 colors to match contrast edgebanding.
- 3" locking casters with "quiet" wheels. Weight rated up to 500 lbs.
- Ships assembled. The weight of the workhorse unit is 73lbs.

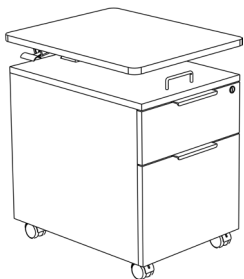


## FINISHES AND GRAIN DIRECTION





box/file pedestal

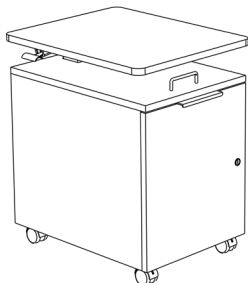


## PRICING

Model Number	Width	Depth	Height	Top Size	T1	T2
<b>Key Lock</b>						
PSK-BFP1-1822-K-??	16	22	25.25-40	18x23	\$1,405	\$1,502
<b>Digital Lock</b>						
PSK-BFP1-1822-D-??	16	22	25.25-40	18x23	\$1,784	\$1,881

- Includes five 2 1/4" hard plastic locking casters. To upgrade to (4x) 3 3/8" premium Cohort casters use POP-CAST-SK for \$170 List
- Top pull is standard, pull selection will affect pulls on the drawer fronts only.
- For digital locks, at least 1 Programming Key (PAC-LOCK-VRSA-PKEY \$164) and 1 Manager's Key (PAC-LOCK-VRSA-MKEY \$117) are required per project.
- Digital locks are ADA by default.

single-door cabinet



## PRICING

Model Number	Width	Depth	Height	Top Size	T1	T2
<b>Key Lock</b>						
PSK-CAB1-1822-K-??	16	22	25.25-40	18x22	\$1,249	\$1,330
<b>Digital Lock</b>						
PSK-CAB1-1822-D-??	16	22	25.25-40	18x22	\$1,628	\$1,709

- Includes five 2 1/4" hard plastic locking casters. To upgrade to (4x) 3 3/8" premium Cohort casters use POP-CAST-SK for \$170 List
- Top pull is standard, pull selection will affect pulls on the door only.
- Cabinet is not handed - door can be hung in either direction at install.
- For digital locks, at least 1 Programming Key (PAC-LOCK-VRSA-PKEY \$164) and 1 Manager's Key (PAC-LOCK-VRSA-MKEY \$117) are required per project.
- Digital locks are ADA by default.

## HOW TO ORDER

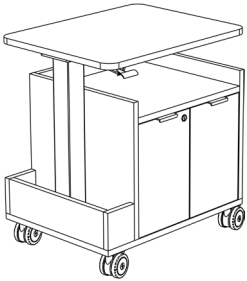
Replace the first "???" with "T1" for standard TFL, or "T2" for premium TFL. Replace the second "???" with BK, SY, AB, RD, TN or SG to indicate strap color. On your order, please specify if edgeband finish is different than the top finish.

Visit [peterpepper.com](http://peterpepper.com) to view additional laminate finish options.





two-door cabinet

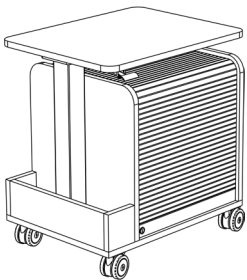


## PRICING

Model Number	Width	Depth	Height	Top Size	T1	T2
<b>Key Lock</b>						
PSK-CAB2-2419-K-??-??	24.5	16	26.5-41	24x19	\$1,546	\$1,639
PSK-CAB2-2419-D-??-??	24.5	16	26.5-41	24x19	\$1,925	\$2,018

- Includes four 3 3/8" rubber wheel "quiet" locking casters.
- For digital locks, at least 1 Programming Key (PAC-LOCK-VRSA-PKEY \$164) and 1 Manager's Key (PAC-LOCK-VRSA-MKEY \$117) are required per project.
- Digital locks are ADA by default.

tambour cabinet



## PRICING

Model Number	Width	Depth	Height	Top Size	T1	T2
<b>Key Lock</b>						
PSK-TAM1-2419-K-??-??	24.5	18	26.5-42	24x19	\$1,945	\$2,078
<b>Digital Lock</b>						
PSK-TAM1-2419-D-??-??	24.5	18	26.5-41	24x19	\$2,324	\$2,457

- Tambour door comes standard with anti-slam "quiet closure" hardware installed.
- Includes four 3 3/8" rubber wheel "quiet" locking casters.
- For digital locks, at least 1 Programming Key (PAC-LOCK-VRSA-PKEY \$164) and 1 Manager's Key (PAC-LOCK-VRSA-MKEY \$117) are required per project.
- Digital locks are ADA by default.

## HOW TO ORDER

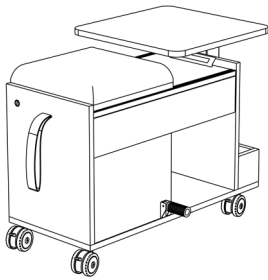
Replace the first "???" with "T1" for standard TFL, or "T2" for premium TFL. Replace the second "???" with BK, SY, AB, RD, TN or SG to indicate strap color. On your order, please specify if edgeband finish is different than the top finish.

Visit [peterpepper.com](http://peterpepper.com) to view additional laminate finish options.





the workhorse



## PRICING

Model Number	Width	Depth	Height	Top Size	T1	T2
<b>Key Lock</b>						
PSK-WKH1-3319-K-??-??-GR1	32.5	14.75	26.5-41	19x19	\$2,340	\$2,492
PSK-WKH1-3319-K-??-??-GR2	32.5	14.75	26.5-41	19x19	\$2,395	\$2,547
PSK-WKH1-3319-K-??-??-GR3	32.5	14.75	26.5-41	19x19	\$2,436	\$2,588
PSK-WKH1-3319-K-??-??-GR4	32.5	14.75	26.5-41	19x19	\$2,484	\$2,636
PSK-WKH1-3319-K-??-??-GR5	32.5	14.75	26.5-41	19x19	\$2,537	\$2,689
<b>Digital Lock</b>						
PSK-WKH1-3319-D-??-??-GR1	32.5	14.75	26.5-41	19x19	\$3,098	\$3,250
PSK-WKH1-3319-D-??-??-GR2	32.5	14.75	26.5-41	19x19	\$3,153	\$3,305
PSK-WKH1-3319-D-??-??-GR3	32.5	14.75	26.5-41	19x19	\$3,194	\$3,346
PSK-WKH1-3319-D-??-??-GR4	32.5	14.75	26.5-41	19x19	\$3,242	\$3,394
PSK-WKH1-3319-D-??-??-GR5	32.5	14.75	26.5-41	19x19	\$3,295	\$3,447

- There are two separate locking sections on the Workhorse.
- Includes four 3 3/8" rubber wheel "quiet" locking casters.
- Sliding drawer pull is standard, pull selection will affect pulls on the door only.
- For digital locks, at least 1 Programming Key (PAC-LOCK-VRSA-PKEY \$164) and 1 Manager's Key (PAC-LOCK-VRSA-MKEY \$117) are required per project.
- Digital locks are ADA by default.

## HOW TO ORDER

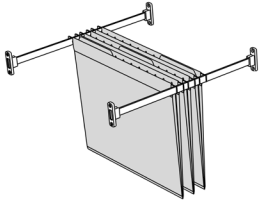
Replace the first "???" with "T1" for standard TFL, or "T2" for premium TFL. Replace the second "???" with BK, SY, AB, RD, TN or SG to indicate strap color. On your order, please specify if edgeband finish is different than the top finish.

Visit [peterpepper.com](http://peterpepper.com) to view additional laminate finish options.





## ACCESSORIES



Model Number	Description	Price
PAC-FILE-BAR	hanging file bar set w/ pencil tray	\$84



**WARRANTY, TERMS + CONDITIONS**

**For current warranty, terms and conditions, please visit [peterpepper.com](http://peterpepper.com).**







**PETER PEPPER PRODUCTS**

Los Angeles Headquarters  
6525 Flotilla Street  
Commerce, CA 90040

323.264.2260  
[www.peterpepper.com](http://www.peterpepper.com)



# FIZZ POP SHELVING

[PRICE LIST + SPECIFICATIONS](#)  
Effective May 15, 2024

All Prices are Suggested List Price



# FIZZ

## POP SHELVING

### REVISIONS

05.15.24

Product Launch





# FIZZ POP SHELVING

## TABLE OF CONTENTS

Laminate Finishes	4-5
Product Details	6-7
Warranty, Terms and Conditions	8





## LAMINATE FINISHES

### "T1" STANDARD THERMOFUSE LAMINATE (TFL)



Matching 2MM PVC edgbanding is available for all Standard TFL finishes shown here.  
For HPL match information please visit [peterpepper.com/finishes](http://peterpepper.com/finishes)





# LAMINATE FINISHES

## "T2" PREMIUM TEXTURED THERMOFUSE LAMINATE (TFL)



Premium TFLs require a 10% upcharge. Add item code POP-TTFL-1. Matching 2MM PVC edgbanding is available for all Premium TFL finishes shown here. For HPL match information please visit [peterpepper.com/finishes](http://peterpepper.com/finishes)

## HIGH PRESSURE LAMINATE (HPL)

### STANDARD HPL

- Pricing shown in this price list applies only to non-premium HPLs as follows:
- Wilsonart: Solids, Woodgrains, and Abstracts in Matte (-60) finish,
  - Formica: Color Portfolio, Woodgrains, and Patterns in Matte (-58) finish
  - Pionite: Solids, Woodgrains, and Abstracts in Suede (N) finish
  - Arborite: Solids, Woodgrains, Textures and Abstracts in Matte (CA) finish
  - Nevamar: Solids, Woodgrains, Stones and Abstracts in ARP (-T) finish

A minimum charge of \$520 net per HPL color will be applied to each order.

Call customer service for pricing for all other HPLs.

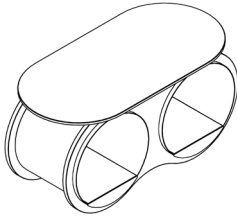
Additional lead times required for HPL orders depending on material availability and order complexity. HPL is always available with Peter Pepper Products standard 2MM edgbanding. Special order matching PVC 2MM edgbanding may be available for orders \$25,000 List or larger, call customer service for pricing.

### ACCENT EDGE BANDING OPTIONS

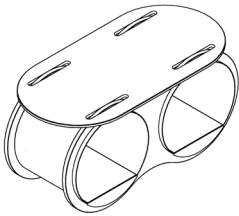




## Fizz Coffee Tables



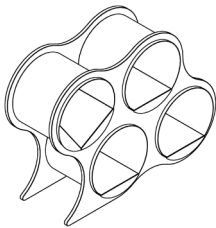
Model Number	Width	Depth	Height	T1	T2	HPL
<b>Standard Glass Top</b>						
PSC-BOLA-2-CTBL-??	38	19	20	\$1,571	\$1,618	\$2,073



Model Number	Width	Depth	Height	T1	T2	HPL
<b>Slotted Glass Top</b>						
PSC-BOLA-2-CTBL-SLOT-??	38	19	20	\$2,211	\$2,258	\$2,712

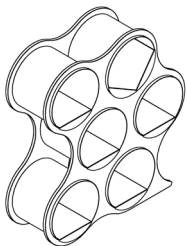
- 1 1/8" panels with white 2mm PVC edges.
- Includes one metal shelf per storage compartment.
- For a set of two additional shelves, add PSC-BOLA-SHLV-SET for \$194.
- Metal shelves only available in white.
- Tempered glass is 3/8" thick.
- Solid glass secured with stick-on rubber feet. Slotted glass provides additional security.

## Fizz Shelving Units



Model Number	Width	Depth	Height	T1	T2	HPL
<b>Fizz 4</b>						
PSC-BOLA-4SHV-??	48	16	36	\$1,203	\$1,276	\$2,235

- 1 1/8" panels with white 2mm PVC edges.
- Includes one metal shelf per storage compartment.
- For a set of two additional shelves, add PSC-BOLA-SHLV-SET for \$194.
- Metal shelves only available in white.



Model Number	Width	Depth	Height	T1	T2	HPL
<b>Fizz 6</b>						
PSC-BOLA-6SHV-??	48	16	52	\$1,603	\$1,692	\$2,741

- 1 1/8" panels with white 2mm PVC edges.
- Includes one metal shelf per storage compartment.
- For a set of two additional shelves, add PSC-BOLA-SHLV-SET for \$194.
- Metal shelves only available in white.

## HOW TO ORDER

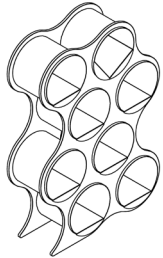
Replace the "???" with "T1" for standard TFL, "T2" for premium TFL, or "H1" for standard HPL. On your order, please specify if edgiband finish is different than the top finish.

Visit [peterpepper.com](http://peterpepper.com) to view additional laminate finish options.





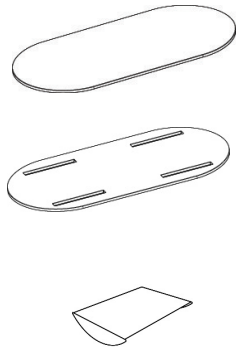
## Fizz Shelving Units



Model Number	Width	Depth	Height	T1	T2	HPL
<b>Fizz 8</b>						
PSC-BOLA-8SHV-??	48	16	68	\$2,295	\$2,429	\$4,271

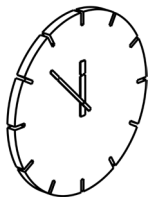
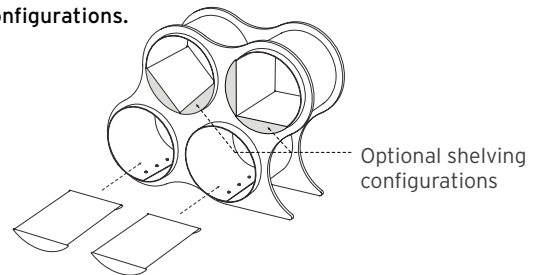
- 1 1/8" panels with white 2mm PVC edges.
- Includes one metal shelf per storage compartment.
- For a set of two additional shelves, add PSC-BOLA-SHLV-SET for \$194.
- Metal shelves only available in white.

## Fizz Accessories



Model Number	Width	Depth	Price
<b>Standard Glass Top Only</b>			
PSC-BOLA-GLS2	38	19	\$861
<b>Slotted Glass Top Only</b>			
PSC-BOLA-GLS	38	19	\$1,501
<b>*Metal Shelf Only</b>			
PSC-BOLA-SHLV-SET	Includes 2 shelves		\$194

\*Order Metal shelves to create optional shelving configurations.



Model Number	Diameter	T1	T2	HPL
<b>Fizz Wall Clock</b>				
PSC-BOLA-CLCK-METR-??	16	\$109	\$120	\$144

- Quartz movement. (1) AA battery required (not included)
- Finished face, raw particle board edge

## HOW TO ORDER

Replace the "???" with "T1" for standard TFL, "T2" for premium TFL, or "H1" for standard HPL. On your order, please specify if edgeband finish is different than the top finish.

Visit [peterpepper.com](http://peterpepper.com) to view additional laminate finish options.







**WARRANTY, TERMS + CONDITIONS**

**For current warranty, terms and conditions, please visit [peterpepper.com](http://peterpepper.com).**





**PETER PEPPER PRODUCTS**

Los Angeles Headquarters  
6525 Flotilla Street  
Commerce, CA 90040

323.264.2260  
[www.peterpepper.com](http://www.peterpepper.com)



# MARKUP

## DRY ERASE WHITEBOARD

**PRICE LIST + SPECIFICATIONS**  
**Effective May 15, 2024**

All Prices are Suggested List Price



# MARKUP

## DRY ERASE WHITEBOARD

### REVISIONS

05.15.24

Product Launch





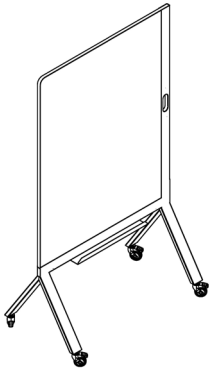
# MARKUP

## DRY ERASE WHITEBOARD

### TABLE OF CONTENTS

Product Details	4
Warranty, Terms and Conditions	5





## PRICING

Model Number	Width	Depth	Height	Color	Price
PSC-MARC-AB	42	24	78	Arctic Blue	\$2,697
PSC-MARC-RD	42	24	78	Red	\$2,697
PSC-MARC-SG	42	24	78	Scale Green	\$2,697
PSC-MARC-SY	42	24	78	Storm Grey	\$2,697
PSC-MARC-TN	42	24	78	Tangerine	\$2,697

- Made with High Pressure Laminates (HPL)
- White dry erase panel with 2mm PVC edges.
- Usable Dry erase panel dimensions: 41" x 55"
- White dry erase panel is non-magnetic.
- Frame is powdercoated steel.
- Includes locking casters; caster style may vary.
- Includes marker tray.

## FRAME COLOR OPTIONS



AB RD TN SG SY



**WARRANTY, TERMS + CONDITIONS**

**For current warranty, terms and conditions, please visit [peterpepper.com](http://peterpepper.com).**





**PETER PEPPER PRODUCTS**

Los Angeles Headquarters  
6525 Flotilla Street  
Commerce, CA 90040

323.264.2260  
[www.peterpepper.com](http://www.peterpepper.com)





# RENEW

## WASTE RECEPTACLE

**PRICE LIST + SPECIFICATIONS**

**Effective May 15, 2024**

All Prices are Suggested List Price



# RENEW

## WASTE RECEPTACLE

### REVISIONS

05.15.24      Product Launch





# RENEW

## WASTE RECEPTACLE

### TABLE OF CONTENTS

Laminate Finishes	4-5
Locks + Pulls	6-7
Product Details	8-11
ReNew	12-15
ReNew Mini	16
Waste Bins + Graphics	17
Warranty, Terms and Conditions	18





# LAMINATE FINISHES

"T1" STANDARD THERMOFUSE LAMINATE (TFL)



Matching 2MM PVC edgbanding is available for all Standard TFL finishes shown here.  
For HPL match information please visit [peterpepper.com/finishes](http://peterpepper.com/finishes)





# LAMINATE FINISHES

## "T2" PREMIUM TEXTURED THERMOFUSE LAMINATE (TFL)



Premium TFLs require a 10% upcharge. Add item code POP-TTFL-1. Matching 2MM PVC edgbanding is available for all Premium TFL finishes shown here. For HPL match information please visit [peterpepper.com/finishes](http://peterpepper.com/finishes)

## HIGH PRESSURE LAMINATE (HPL)

### STANDARD HPL

- Pricing shown in this price list applies only to non-premium HPLs as follows:
- Wilsonart: Solids, Woodgrains, and Abstracts in Matte (-60) finish,
  - Formica: Color Portfolio, Woodgrains, and Patterns in Matte (-58) finish
  - Pionite: Solids, Woodgrains, and Abstracts in Suede (N) finish
  - Arborite: Solids, Woodgrains, Textures and Abstracts in Matte (CA) finish
  - Nevamar: Solids, Woodgrains, Stones and Abstracts in ARP (-T) finish

A minimum charge of \$520 net per HPL color will be applied to each order.

Call customer service for pricing for all other HPLs.

Additional lead times required for HPL orders depending on material availability and order complexity. HPL is always available with Peter Pepper Products standard 2MM edgbanding. Special order matching PVC 2MM edgbanding may be available for orders \$25,000 List or larger, call customer service for pricing.

### ACCENT EDGE BANDING OPTIONS





## PULL + LOCK OPTIONS

### STANDARD PULLS

Pulls are included on all cabinet doors at no upcharge.



101SN



101BL



105SN



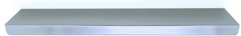
115SN



115BL



201SN



125SN



125BL



201BL

### COMBINATION LOCK

Combination locks can be added to any door storage unit using PAC-LOCK-COM1-SV for \$268 List per lock.



- All metal housing
- Vertical body style
- Operates with a 4-Digit User Code
- Default configuration is multi-user mode - code resets after each use. Assigned user locks available. Contact Customer Service
- Cores keyed alike per site
- Two year warranty
- Manager's Key - serves as master key, needed to reset locks with lost combinations  
PAC-LOCK-COM1-MKEY \$15\*
- Core Removal Key - used to change out a core  
PAC-LOCK-COM1-RKEY \$25
- User Key - used to operate a lock instead of using the combination dials  
PAC-LOCK-COM1-UKEY \$2
- Code Retrieval Tool - used with Manager's Key to reset a lock with a lost combination  
PAC-LOCK-COM1-TOOL \$50\*



ADA Version - \$293 List  
PAC-LOCK-COM1-ADA



Manager Key and Code Retrieval Tool

\* At least 1 Manager's Key and 1 Code Retrieval Tool required per project.



## DIGITAL LOCKS



### DETAILS

- brushed nickel finish
- black keypad with numbers
- vertical body orientation
- all metal lock housing
- manual dead bolt (turn knob)
- operated with user selected 4-digit code
- shared use application
- override and power bypass
- visual and audible indicator
- powered by 2 lithium CR2450 batteries, battery life is 180,000 cycles with average use

To specify in place of a key lock on any cabinet door, add PAC-LOCK-DIG1-SLV for \$405 list.



### PROGRAMMING KEY

- (1) programming key is required for each installation
- initializes new locks
- registers manager bypass key
- overrides user access
- allows management audit/inspection
- provides external power

To specify, add PAC-LOCK-VRSA-PKEY for \$164 list.



### MANAGER KEY

- minimum (1) manager key is required for each installation, multiple manager keys may be used
- assigns access credential(s)
- overrides user access (in assigned use functionality)
- allows management audit/inspection
- provides external power

To specify, add PAC-LOCK-VRSA-MKEY for \$117 list.

## ADA OPTIONS

US Access Board requires 5% of all locks to be ADA compliant.



### ADA COMPLIANT KNOB

Allows door to be opened with one hand and does not require tight grasping, pinching or twisting of the wrist.

To promote universal access, Peter Pepper Products provides the ADA knob by default at no additional charge unless otherwise specified.



### USER KEY

Allows user to operate the lock without using a user code. One key per locker.

To specify, add PAC-LOCK-VRSA-UKEY for \$54 list.

## KEYED LOCK



### DETAILS

- Can be added to any storage unit using POP-LOCK-ADD for \$107 per lock.
- 2 keys per lock
- Can "key alike" with other Peter Pepper Products laminate furniture.
- Use code PAC-LOCK-101 to -200 for \$19 List each to specify key number.
- To order Master Key use PAC-LOCK-MSTR for \$118 List.



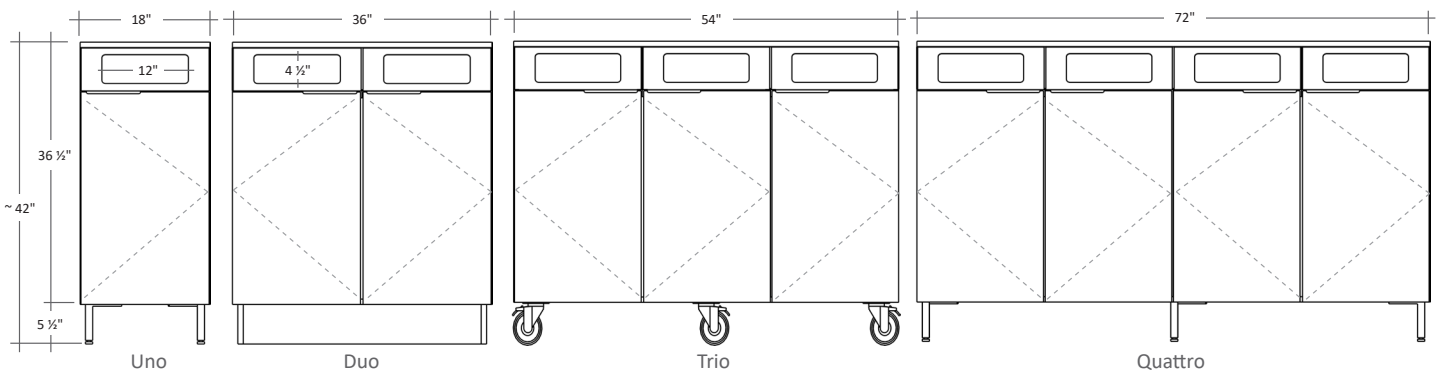


## RENEW

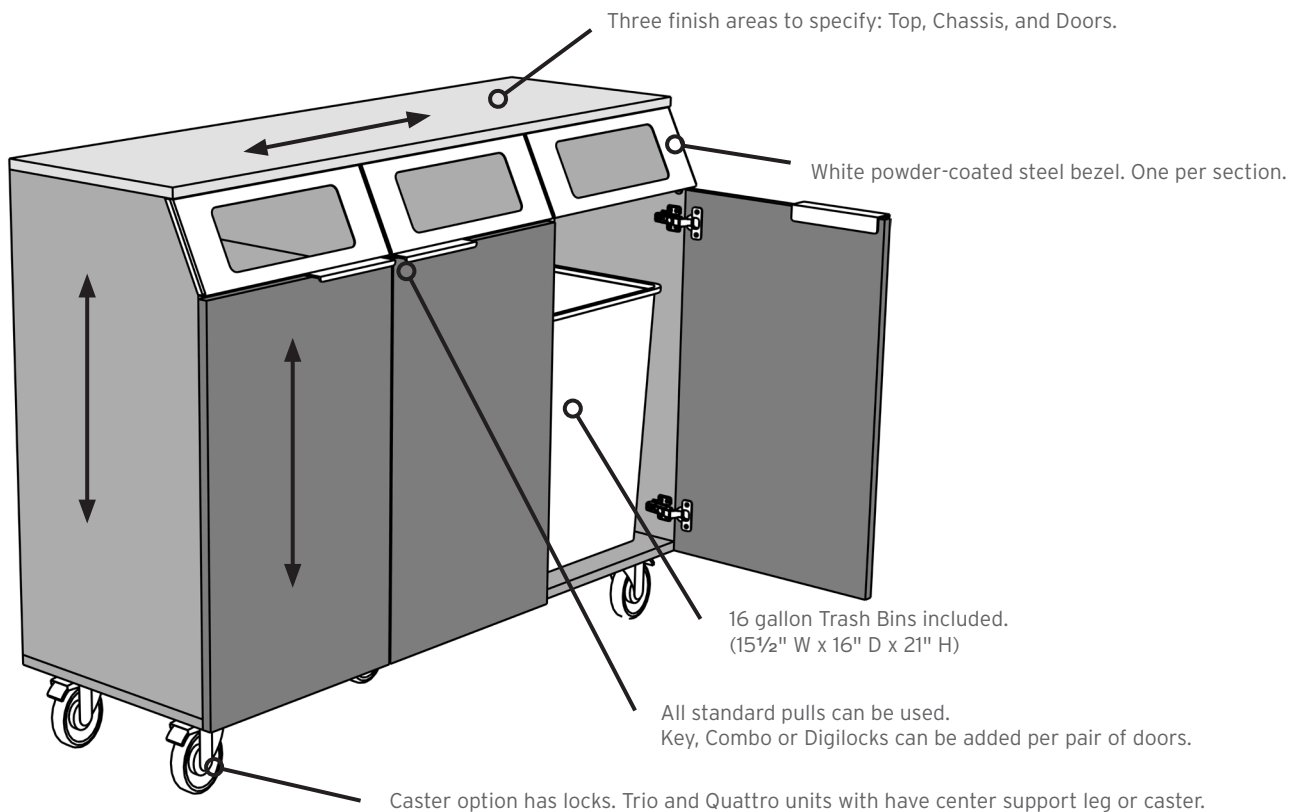
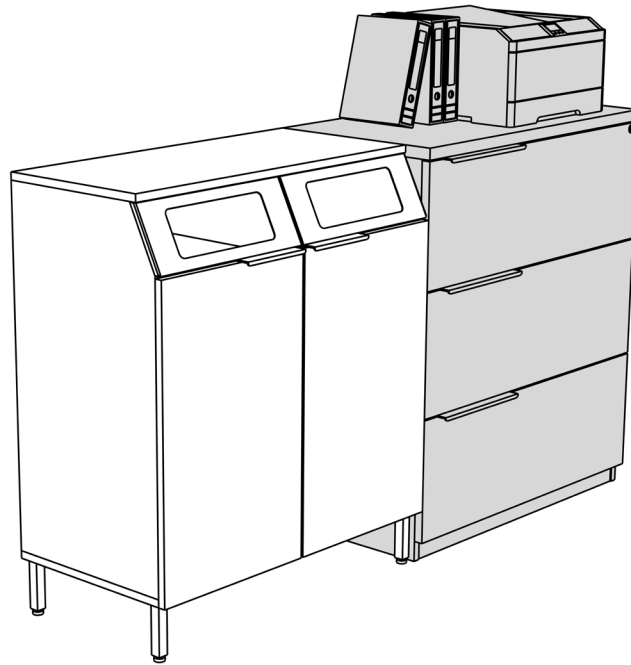
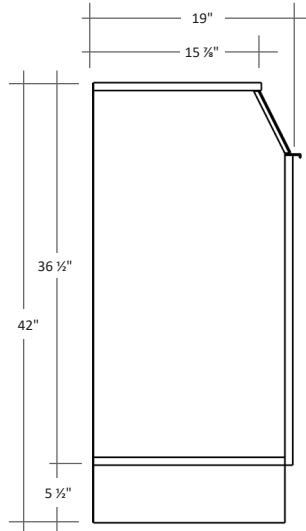


### DETAILS

- Units are 19" deep, and approximately 42" tall. ReNew is available in 4 widths each accommodating a different number of waste bins. No custom sizes are available.
- Available sizes in the ReNew Collection are:
  - ReNew Uno = 18" W - 1 Waste Bin. Handed. Available Left or Right.
  - ReNew Duo = 36" W - 2 Waste Bins. Nonhanded. Single bay, double door unit.
  - ReNew Trio = 54" W - 3 Waste Bins. Handed. 1 double door bay, 1 single door bay. Available Left or Right.
  - ReNew Quattro = 72" W - 4 Waste Bins. Nonhanded. 2 double door bays.
- 3 base styles available. Height will vary slightly by base style.
  - ReNew Leg = 35 1/2" H with adjustable glides. Glides allow 3/4" adjustability.
  - ReNew Plinth = 36" H with adjustable glides.
  - ReNew Caster = 36 1/8" H
- All 3/4" thick panels in TFL or HPL with Peter Pepper Products standard 2MM PVC edge banding.
- ReNew is designed to fit the Tough Guy 16 gallon trash bins (included).
- Locks can be added to unit, one per bay. See product pricing page for more information.
- Ships assembled.







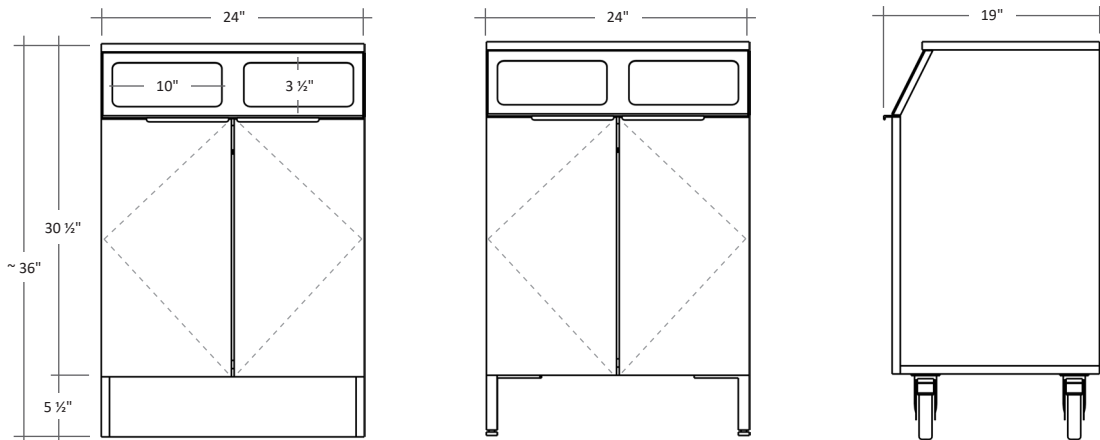


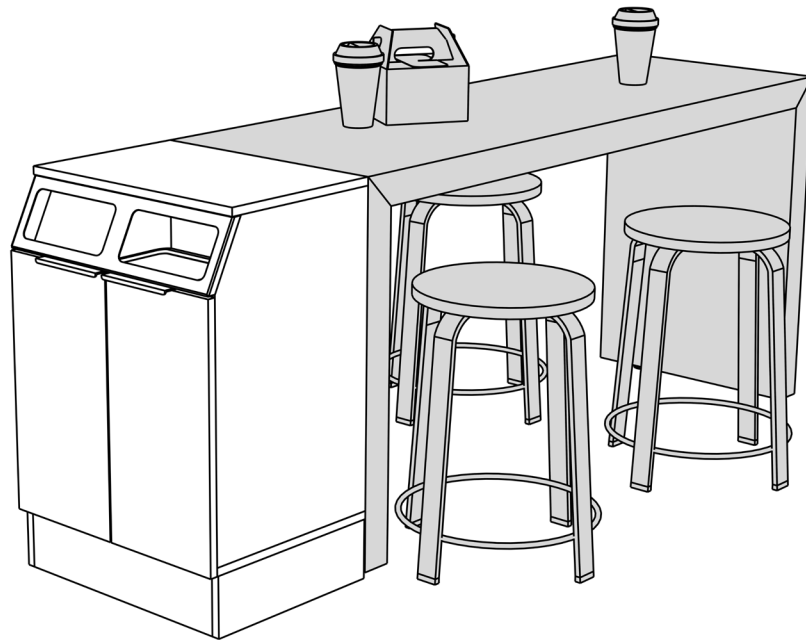
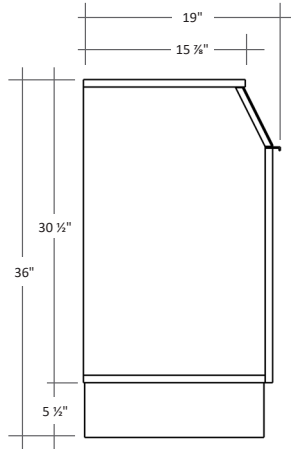
## RENEW MINI



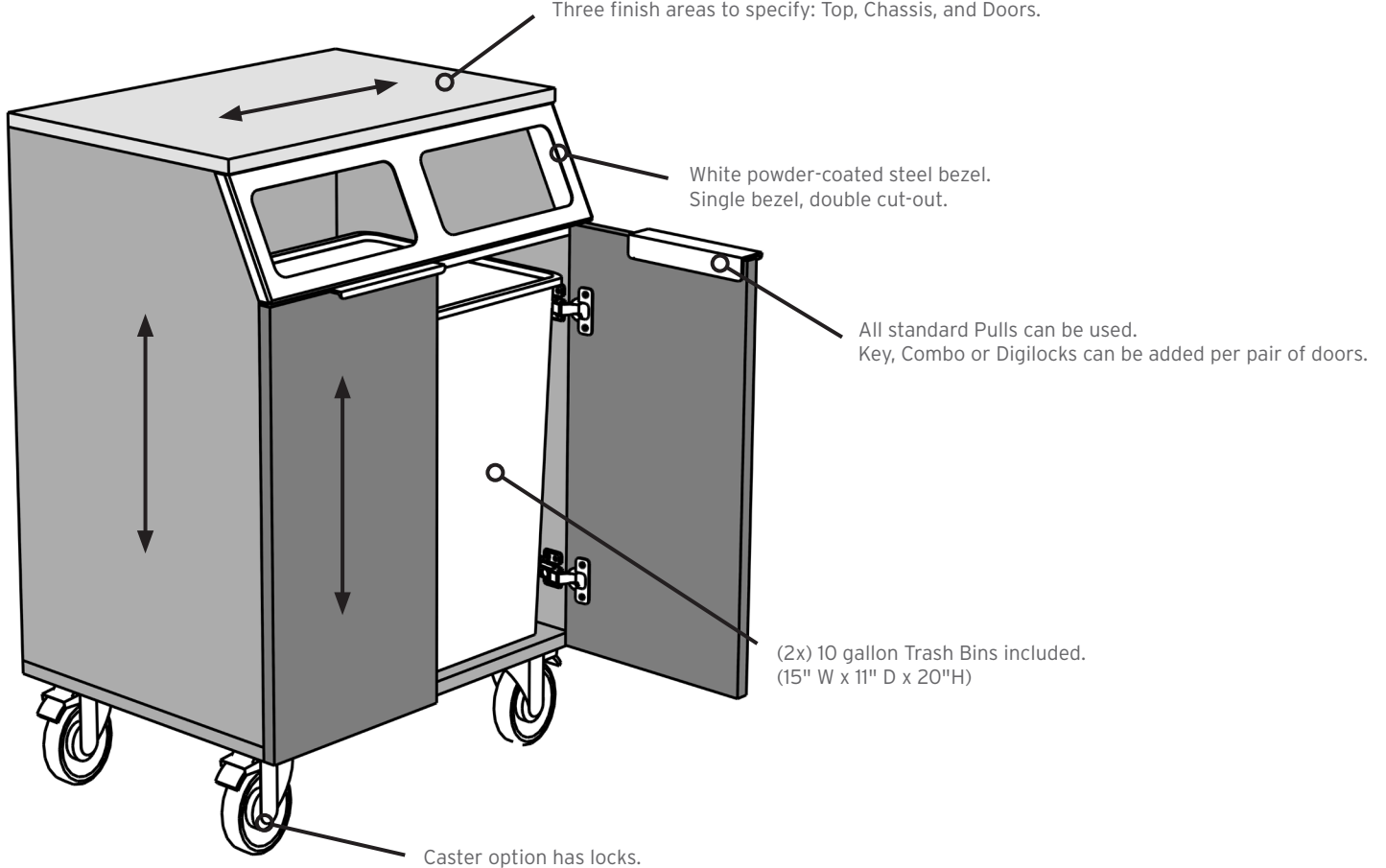
### DETAILS

- ReNew Mini is 19" deep, 24" wide, and approximately 36" tall. No custom sizes are available.
- 3 base styles available. Height will vary slightly by base style.
  - ReNew Mini Leg = 35 1/2"H with adjustable glides. Glides allow 3/4" adjustability.
  - ReNew Mini Plinth = 36"H with adjustable glides. Glides allow 1/2" adjustability.
  - ReNew Mini Caster = 36 1/8"H
- All 3/4" thick panels in TFL or HPL with Peter Pepper Products standard 2MM PVC edge banding.
- ReNew Mini is a double door, single bay cabinet designed to fit 2 Rubbermaid 10 gallon Office Trash Cans (included).
- A lock can be added to unit, which will apply to both doors. See product pricing page for more information.
- Ships assembled.



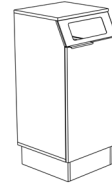
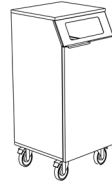
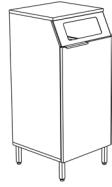


Three finish areas to specify: Top, Chassis, and Doors.





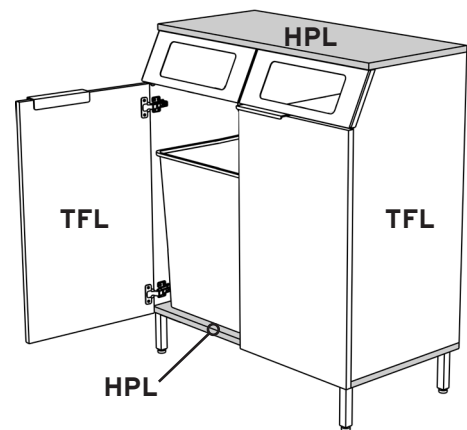
**RENEW UNO**



**PRICING**

Model Number	Width	Depth	Height	Bins	T1	T2	H1	HT
<b>With Legs</b>								
PSP-WSTL-1918-L-??	18	19	42	1	\$1,252	\$1,316	\$2,105	\$1,525
PSP-WSTL-1918-R-??								
<b>With Casters</b>								
PSP-WSTC-1918-L-??	18	19	42	1	\$1,240	\$1,304	\$2,093	\$1,508
PSP-WSTC-1918-R-??								
<b>With Plinth</b>								
PSP-WSTP-1918-L-??	18	19	42	1	\$1,075	\$1,142	\$1,932	\$1,347
PSP-WSTP-1918-R-??								

- 3/4" thick panels are TFL or HPL with Peter Pepper Products standard 2MM PVC edge banding, HPL self edge not available.
- Leg version is supported by (4x) 5 3/8" Stainless Steel legs with adjustable glides.
- Caster version is supported by (4x) 6" locking casters with 360° swivel.
- Plinth version has adjustable glides.
- Trash bezel is white powder-coated steel with a 4 1/2"x 12" cut-out. No other colors/materials available.
- Ships assembled. Includes ToughGuy Square 16 gallon Waste Bins. (1 per unit.)
- Locks can be added, 1 per door. POP-LOCK-ADD for \$107 for a key lock. PAC-LOCK-DIG1-SV for \$405 for digital lock, or PAC-LOCK-COM1-SV for \$268 for a combination dial lock. Digital and dial locks may require additional set-up tools, see pages 6-7 for more information.



**HOW TO ORDER**

Replace the "???" with T1" for Standard TFL, "T2" for Premium TFL, "H1" for Standard HPL or "HT" for an HPL/TFL combination. "HT" is a finish designation specific to this pricebook that refers to a combination HPL/TFL construction where the top and bottom panel of the waste sorting unit are HPL and the remainder is TFL. This configuration can provide maximum durability in applications involving exposure to liquid spills or frequent cleaning, at a lower price point than full HPL construction. See diagram on page 12.

Visit [peterpepper.com](http://peterpepper.com) to view additional laminate finish options.





**RENEW DUO**



**PRICING**

Model Number	Width	Depth	Height	Bins	T1	T2	H1	HT
<b>With Legs</b>								
PSP-WSTL-1936-??	36	19	42	2	\$1,946	\$2,038	\$3,224	\$2,181
<b>With Casters</b>								
PSP-WSTC-1936-??	36	19	42	2	\$1,934	\$2,026	\$3,283	\$2,238
<b>With Plinth</b>								
PSP-WSTP-1936-??	36	19	42	2	\$1,802	\$1,901	\$3,087	\$2,042

- 3/4" thick panels are TFL or HPL with Peter Pepper Products standard 2MM PVC edge banding, HPL self edge not available.
- Leg version is supported by (4x) 5 3/8" Stainless Steel legs with adjustable glides.
- Caster version is supported by (4x) 6" locking casters with 360° swivel.
- Plinth version has adjustable glides.
- Trash bezel is white powder-coated steel with a 4 1/2"x 12" cut-out. No other colors/materials available.
- Ships assembled. Includes ToughGuy Square 16 gallon Waste Bins. (2 per unit.)
- Locks can be added, 1 per pair of doors. POP-LOCK-ADD for \$107 for a key lock. PAC-LOCK-DIG1-SV for \$405 for digital lock, or PAC-LOCK-COM1-SV for \$268 for a combination dial lock. Digital and dial locks may require additional set-up tools, see pages 6-7 for more information.

**HOW TO ORDER**

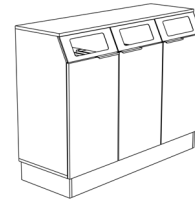
Replace the "???" with T1" for Standard TFL, "T2" for Premium TFL, "H1" for Standard HPL or "HT" for an HPL/TFL combination. "HT" is a finish designation specific to this pricebook that refers to a combination HPL/TFL construction where the top and bottom panel of the waste sorting unit are HPL and the remainder is TFL. This configuration can provide maximum durability in applications involving exposure to liquid spills or frequent cleaning, at a lower price point than full HPL construction. See diagram on page 12.

Visit [peterpepper.com](http://peterpepper.com) to view additional laminate finish options.





**RENEW TRIO**



**PRICING**

Model Number	Width	Depth	Height	Bins	T1	T2	H1	HT
<b>With Legs</b>								
PSP-WSTL-1954-L-??	54	19	42	3	\$2,547	\$2,648	\$3,836	\$3,085
PSP-WSTL-1954-R-??								
<b>With Casters</b>								
PSP-WSTC-1954-L-??	54	19	42	3	\$2,480	\$2,581	\$3,769	\$3,018
PSP-WSTC-1954-R-??								
<b>With Plinth</b>								
PSP-WSTP-1954-L-??	54	19	42	3	\$2,499	\$2,627	\$4,209	\$3,038
PSP-WSTP-1954-R-??								

- 3/4" thick panels are TFL or HPL with Peter Pepper Products standard 2MM PVC edge banding, HPL self edge not available.
- Leg version is supported by (6x) 5 3/8" Stainless Steel legs with adjustable glides.
- Caster version is supported by (5x) 6" locking casters with 360° swivel.
- Plinth version has adjustable glides.
- Trash bezel is white powder-coated steel with a 4 1/2"x 12" cut-out. No other colors/materials available.
- Ships assembled. Includes ToughGuy Square 16 gallon Waste Bins. (3 per unit.)
- Locks can be added, 2 per unit. (1 double door section, 1 single door.) POP-LOCK-ADD for \$107 for a key lock. PAC-LOCK-DIG1-SV for \$405 for digital lock, or PAC-LOCK-COM1-SV for \$268 for a combination dial lock. Digital and dial locks may require additional set-up tools, see pages 6-7 for more information.

**HOW TO ORDER**

Replace the "???" with T1" for Standard TFL, "T2" for Premium TFL, "H1" for Standard HPL or "HT" for an HPL/TFL combination. "HT" is a finish designation specific to this pricebook that refers to a combination HPL/TFL construction where the top and bottom panel of the waste sorting unit are HPL and the remainder is TFL. This configuration can provide maximum durability in applications involving exposure to liquid spills or frequent cleaning, at a lower price point than full HPL construction. See diagram on page 12.

Visit [peterpepper.com](http://peterpepper.com) to view additional laminate finish options.





**RENEW QUATTRO**



**PRICING**

Model Number	Width	Depth	Height	Bins	T1	T2	H1	HT
<b>With Legs</b>								
PSP-WSTL-1972-??	72	19	42	4	\$3,446	\$3,597	\$5,572	\$3,942
<b>With Casters</b>								
PSP-WSTC-1972-??	72	19	42	4	\$3,379	\$3,530	\$5,505	\$3,875
<b>With Plinth</b>								
PSP-WSTP-1972-??	72	19	42	4	\$3,205	\$3,363	\$5,341	\$3,711

- 3/4" thick panels are TFL or HPL with Peter Pepper Products standard 2MM PVC edge banding, HPL self edge not available.
- Leg version is supported by (6x) 5 3/8" Stainless Steel legs with adjustable glides.
- Caster version is supported by (5x) 6" locking casters with 360° swivel.
- Plinth version has adjustable glides.
- Trash bezel is white powder-coated steel with a 4 1/2"x 12" cut-out. No other colors/materials available.
- Ships assembled. Includes ToughGuy Square 16 gallon Waste Bins. (4 per unit.)
- Locks can be added, 2 per unit. (2 double door sections.) POP-LOCK-ADD for \$107 for a key lock. PAC-LOCK-DIG1-SV for \$405 for digital lock, or PAC-LOCK-COM1-SV for \$268 for a combination dial lock. Digital and dial locks may require additional set-up tools, see pages 6-7 for more information.

**HOW TO ORDER**

Replace the "???" with T1" for Standard TFL, "T2" for Premium TFL, "H1" for Standard HPL or "HT" for an HPL/TFL combination. "HT" is a finish designation specific to this pricebook that refers to a combination HPL/TFL construction where the top and bottom panel of the waste sorting unit are HPL and the remainder is TFL. This configuration can provide maximum durability in applications involving exposure to liquid spills or frequent cleaning, at a lower price point than full HPL construction. See diagram on page 12.

Visit [peterpepper.com](http://peterpepper.com) to view additional laminate finish options.





**RENEW MINI**



**PRICING**

Model Number	Width	Depth	Height	Bins	T1	T2	H1	HT
<b>With Legs</b>								
PSP-WSTL-1924-??	24	19	36	2	\$1,242	\$1,308	\$2,099	\$1,513
<b>With Casters</b>								
PSP-WSTC-1924-??	24	19	36	2	\$1,230	\$1,296	\$2,087	\$1,501
<b>With Plinth</b>								
PSP-WSTP-1924-??	24	19	36	2	\$1,082	\$1,153	\$1,943	\$1,358

- 3/4" thick panels are TFL or HPL with Peter Pepper Products standard 2MM PVC edge banding, HPL self edge not available.
- Leg version is supported by (4x) 5 3/8" Stainless Steel legs with adjustable glides.
- Caster version is supported by (4x) 6" locking casters with 360° swivel.
- Plinth version has adjustable glides.
- Trash bezel is white powder-coated steel with (2x) 3 1/2"x10" cut-outs. No other colors/materials available.
- Ships assembled. Includes Rubbermaid 10 gallon Office Trash Cans. (2 per unit.)
- Locks can be added, 1 per pair of doors. POP-LOCK-ADD for \$107 for a key lock. PAC-LOCK-DIGI-SV for \$405 for digital lock, or PAC-LOCK-COMI-SV for \$268 for a combination dial lock. Digital and dial locks may require additional set-up tools, see pages 6-7 for more information.

**HOW TO ORDER**

Replace the "???" with T1" for Standard TFL, "T2" for Premium TFL, "H1" for Standard HPL or "HT" for an HPL/TFL combination. "HT" is a finish designation specific to this pricebook that refers to a combination HPL/TFL construction where the top and bottom panel of the waste sorting unit are HPL and the remainder is TFL. This configuration can provide maximum durability in applications involving exposure to liquid spills or frequent cleaning, at a lower price point than full HPL construction. See diagram on page 12.

Visit [peterpepper.com](http://peterpepper.com) to view additional laminate finish options.







## WASTE + RECYCLING BINS

Please note: Plastic waste bins are included with each ReNew Receptacle. The items listed below are suitable for use as replacements for those bins, or to be used independently.

### PRICING



Model Number	Width	Length	Height	Capacity	Price
PAC-TRSH-BIN3	15 1/2	16	21	19gal	\$192

- Tough Guy 16 gallon Trash Bin in beige. Weight capacity 60lbs.
- Can be used as a replacement bin for the RENEW collection.



PAC-TRSH-BIN4	11	15	20	10gal	\$71
---------------	----	----	----	-------	------

- Rubbermaid 10 gallon Trash Bin in beige. Weight capacity 45lbs.
- Can be used as a replacement bin for the RENEW MINI collection.

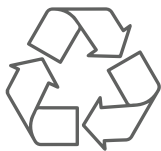


PAC-TRSH-BIN5	11	15	20	10gal	\$71
---------------	----	----	----	-------	------

- Rubbermaid 10 gallon Trash Bin in blue. Weight capacity 45lbs.
- Can be used as a replacement bin for the RENEW MINI collection.

## VINYL GRAPHICS

### PRICING



RECYCLE

Model Number	Price
AC-TRSH-ICON-WT	\$25
AC-TRSH-ICON-BK	\$25

- Vinyl graphic pack of 5 includes: Glass, Paper, Plastic, Recycle and Waste



**WARRANTY, TERMS + CONDITIONS**

**For current warranty, terms and conditions, please visit [peterpepper.com](http://peterpepper.com).**





**PETER PEPPER PRODUCTS**

Los Angeles Headquarters  
6525 Flotilla Street  
Commerce, CA 90040

323.264.2260  
[www.peterpepper.com](http://www.peterpepper.com)



# THREEFOLD

## WHITEBOARD TABLE

**PRICE LIST + SPECIFICATIONS**  
**Effective May 15, 2024**

All Prices are Suggested List Price



# THREEFOLD

## WHITEBOARD TABLE

### REVISIONS

05.15.24

Product Launch





# THREEFOLD

## WHITEBOARD TABLE

### TABLE OF CONTENTS

Laminate Finishes	4
Product Details	5
Accessories + Electrical	6
Electrical Placement	7
Warranty, Terms and Conditions	8





# LAMINATE FINISHES

## HIGH PRESSURE LAMINATE (HPL)

### STANDARD HPL

Pricing shown in this price list applies only to non-premium HPLs as follows:

- Wilsonart: Solids, Woodgrains, and Abstracts in Matte (-60) finish,
- Formica: Color Portfolio, Woodgrains, and Patterns in Matte (-58) finish
- Pionite: Solids, Woodgrains, and Abstracts in Suede (N) finish
- Arborite: Solids, Woodgrains, Textures and Abstracts in Matte (CA) finish
- Nevamar: Solids, Woodgrains, Stones and Abstracts in ARP (-T) finish

A minimum charge of \$520 net per HPL color will be applied to each order.

Call customer service for pricing for all other HPLs.

Additional lead times required for HPL orders depending on material availability and order complexity.

HPL is always available with Peter Pepper Products standard 2MM edgebanding.

Special order matching PVC 2MM edgebanding may be available for orders \$25,000 List or larger, call customer service for pricing.

### "H2" PREMIUM HPL FINISHES

Pricing shown in this price list applies only the specific premium HPLs listed below:

- White High Gloss Dry Erase - Formica White 949-90

### ACCENT EDGEBOARDING OPTIONS



Tangerine



Red



Scale Green



Arctic Blue



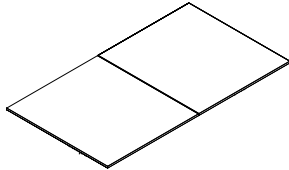
Storm Gray





## PRICING

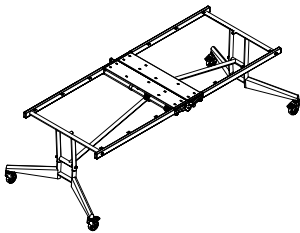
### Table Tops



Model Number	Width	Length	H1	H2
<b>THREEFOLD 9' Tables</b>				
PSC-NMSP-6008-??-A1	60	108	\$3,020	\$3,564
<b>THREEFOLD 10' Tables</b>				
PSC-NOMT-4820-??-A1	48	120	\$2,611	\$3,079
PSC-NOMT-5420-??-A1	54	120	\$3,037	\$3,580
<b>THREEFOLD 12' Tables</b>				
PSC-NOMT-4840-??-A1	48	140	\$2,841	\$3,347

- HPL tops with 2mm PVC edges are only available with Peter Pepper standard 2MM PVC edgebanding.
- High gloss dry-erase finish must be specified for a "2 in 1" conference table and whiteboard.
- Whiteboard finish is H2 pricing. Woodgrain or matte color laminates cannot be used as whiteboard/dry-erase surface.

### Frames



Model Number	Length	Height	Price
<b>THREEFOLD 9' Frame</b>			
PSC-NOMD-BSS9*	108	29	\$5,073
<b>THREEFOLD 10' Frame</b>			
PSC-NOMD-BS10	120	29	\$4,764
<b>THREEFOLD 12' Frame</b>			
PSC-NOMD-BS12	140	29	\$5,404

\*Includes ping-pong set

- Bases and frames are constructed of steel with a white powdercoat finish.
- Includes locking casters.
- Shipped in pieces and require assembly.

## HOW TO ORDER

Replace "???" with "H1" for standard HPL or "H2" for premium HPL.  
 On your order, please specify edgeband finish if different than the top finish.

Visit [peterpepper.com](http://peterpepper.com) to view finish options.







## ACCESSORIES PRICING



### Ping Pong Net + Paddles

Model Number	Price
PSC-PING-PONG	\$113

- Ping Pong set includes a retractable net, 2 paddles, 3 balls and a carrying case.

### Electrical

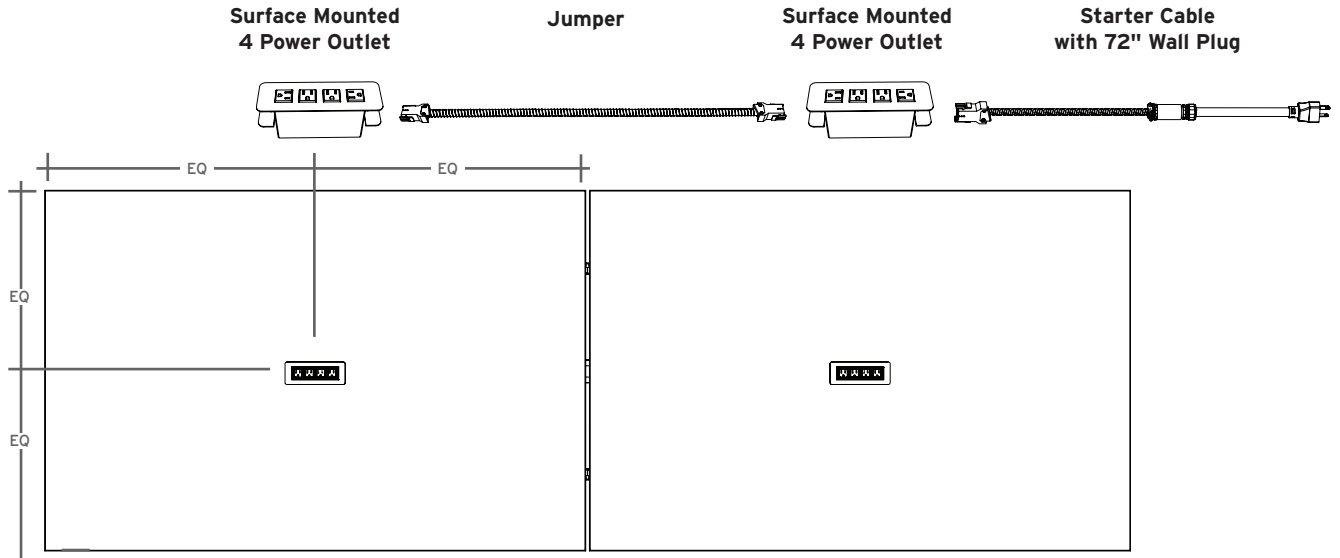


Model Number	Product Details	Price
PAC-ELEC-NM10-WT	Two-Piece Electrical Kit for 120" Tables	\$1,755
PAC-ELEC-NM12-WT	Two-Piece Electrical Kit for 140" Tables	\$1,768
PAC-ELEC-NMSP-WT	Two-Piece "Sport" Mounted Electrical Kit	\$1,033

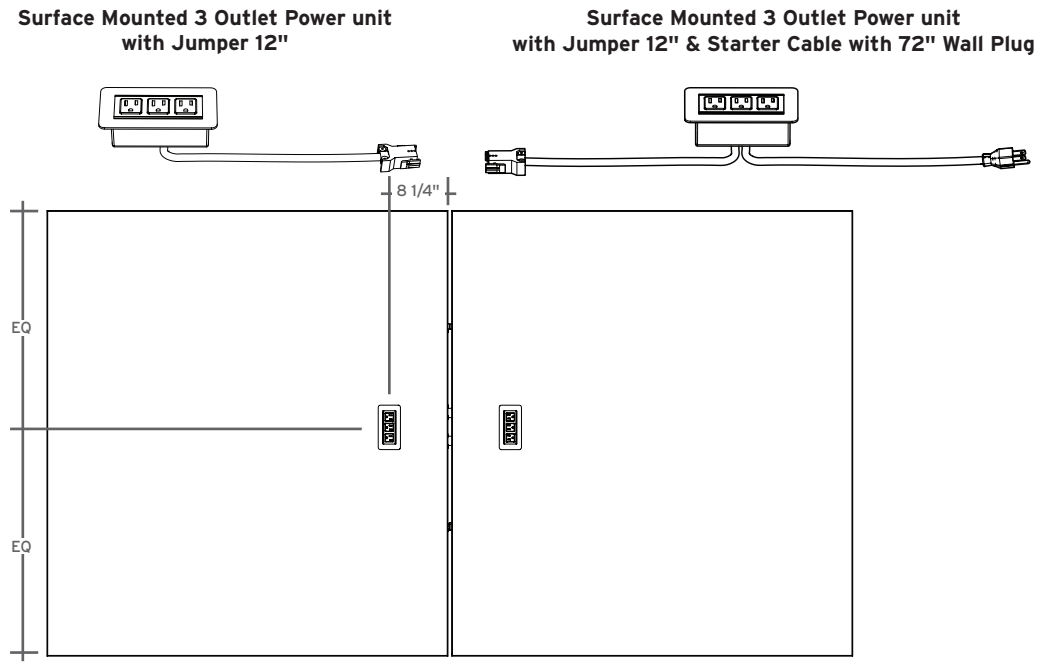
- THREEFOLD Tables require specific electrical kit to accommodate the folding mechanism.
- The placement of the Threefold Sport Electrical Kit (PAC-ELEC-NMSP-WT) is designed to be unobstrusive when the table is used as a ping pong table.
- Electrical Kit comes in White ONLY.



# THREEFOLD 10FT/12FT



# THREEFOLD SPORT





**WARRANTY, TERMS + CONDITIONS**

**For current warranty, terms and conditions, please visit [peterpepper.com](http://peterpepper.com).**





**PETER PEPPER PRODUCTS**

Los Angeles Headquarters  
6525 Flotilla Street  
Commerce, CA 90040

323.264.2260  
[www.peterpepper.com](http://www.peterpepper.com)