



RENEW

WASTE RECEPTACLE

PRICE LIST + SPECIFICATIONS

Effective May 15, 2024

All Prices are Suggested List Price



RENEW

WASTE RECEPTACLE

REVISIONS

05.15.24 Product Launch





RENEW

WASTE RECEPTACLE

TABLE OF CONTENTS

Laminate Finishes	4-5
Locks + Pulls	6-7
Product Details	8-11
ReNew	12-15
ReNew Mini	16
Waste Bins + Graphics	17
Warranty, Terms and Conditions	18





LAMINATE FINISHES

"T1" STANDARD THERMOFUSE LAMINATE (TFL)



Matching 2MM PVC edgbanding is available for all Standard TFL finishes shown here.
For HPL match information please visit peterpepper.com/finishes





LAMINATE FINISHES

"T2" PREMIUM TEXTURED THERMOFUSE LAMINATE (TFL)



Premium TFLs require a 10% upcharge. Add item code POP-TTFL-1. Matching 2MM PVC edgbanding is available for all Premium TFL finishes shown here. For HPL match information please visit peterpepper.com/finishes

HIGH PRESSURE LAMINATE (HPL)

STANDARD HPL

- Pricing shown in this price list applies only to non-premium HPLs as follows:
- Wilsonart: Solids, Woodgrains, and Abstracts in Matte (-60) finish,
 - Formica: Color Portfolio, Woodgrains, and Patterns in Matte (-58) finish
 - Pionite: Solids, Woodgrains, and Abstracts in Suede (N) finish
 - Arborite: Solids, Woodgrains, Textures and Abstracts in Matte (CA) finish
 - Nevamar: Solids, Woodgrains, Stones and Abstracts in ARP (-T) finish

A minimum charge of \$520 net per HPL color will be applied to each order.

Call customer service for pricing for all other HPLs.

Additional lead times required for HPL orders depending on material availability and order complexity. HPL is always available with Peter Pepper Products standard 2MM edgbanding. Special order matching PVC 2MM edgbanding may be available for orders \$25,000 List or larger, call customer service for pricing.

ACCENT EDGE BANDING OPTIONS





PULL + LOCK OPTIONS

STANDARD PULLS

Pulls are included on all cabinet doors at no upcharge.



101SN



101BL



105SN



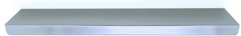
115SN



115BL



201SN



125SN



125BL



201BL

COMBINATION LOCK

Combination locks can be added to any door storage unit using PAC-LOCK-COM1-SV for \$268 List per lock.



- All metal housing
- Vertical body style
- Operates with a 4-Digit User Code
- Default configuration is multi-user mode - code resets after each use. Assigned user locks available. Contact Customer Service
- Cores keyed alike per site
- Two year warranty
- Manager's Key - serves as master key, needed to reset locks with lost combinations
PAC-LOCK-COM1-MKEY \$15*
- Core Removal Key - used to change out a core
PAC-LOCK-COM1-RKEY \$25
- User Key - used to operate a lock instead of using the combination dials
PAC-LOCK-COM1-UKEY \$2
- Code Retrieval Tool - used with Manager's Key to reset a lock with a lost combination
PAC-LOCK-COM1-TOOL \$50*



ADA Version - \$293 List
PAC-LOCK-COM1-ADA



Manager Key and Code Retrieval Tool

* At least 1 Manager's Key and 1 Code Retrieval Tool required per project.



DIGITAL LOCKS



DETAILS

- brushed nickel finish
- black keypad with numbers
- vertical body orientation
- all metal lock housing
- manual dead bolt (turn knob)
- operated with user selected 4-digit code
- shared use application
- override and power bypass
- visual and audible indicator
- powered by 2 lithium CR2450 batteries, battery life is 180,000 cycles with average use

To specify in place of a key lock on any cabinet door, add PAC-LOCK-DIG1-SLV for \$405 list.



PROGRAMMING KEY

- (1) programming key is required for each installation
- initializes new locks
- registers manager bypass key
- overrides user access
- allows management audit/inspection
- provides external power

To specify, add PAC-LOCK-VRSA-PKEY for \$164 list.



MANAGER KEY

- minimum (1) manager key is required for each installation, multiple manager keys may be used
- assigns access credential(s)
- overrides user access (in assigned use functionality)
- allows management audit/inspection
- provides external power

To specify, add PAC-LOCK-VRSA-MKEY for \$117 list.

ADA OPTIONS

US Access Board requires 5% of all locks to be ADA compliant.



ADA COMPLIANT KNOB

Allows door to be opened with one hand and does not require tight grasping, pinching or twisting of the wrist.

To promote universal access, Peter Pepper Products provides the ADA knob by default at no additional charge unless otherwise specified.



USER KEY

Allows user to operate the lock without using a user code. One key per locker.

To specify, add PAC-LOCK-VRSA-UKEY for \$54 list.

KEYED LOCK



DETAILS

- Can be added to any storage unit using POP-LOCK-ADD for \$107 per lock.
- 2 keys per lock
- Can "key alike" with other Peter Pepper Products laminate furniture.
- Use code PAC-LOCK-101 to -200 for \$19 List each to specify key number.
- To order Master Key use PAC-LOCK-MSTR for \$118 List.



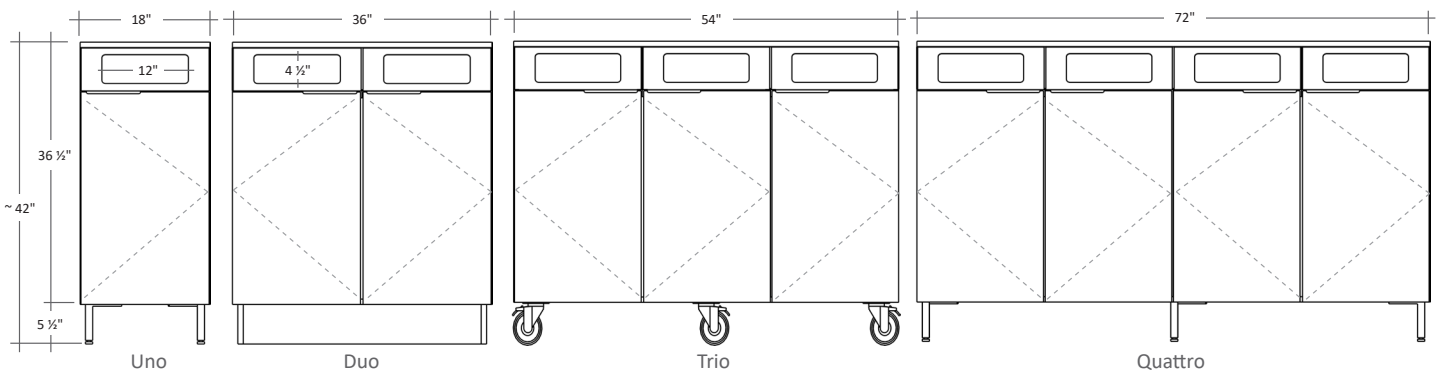


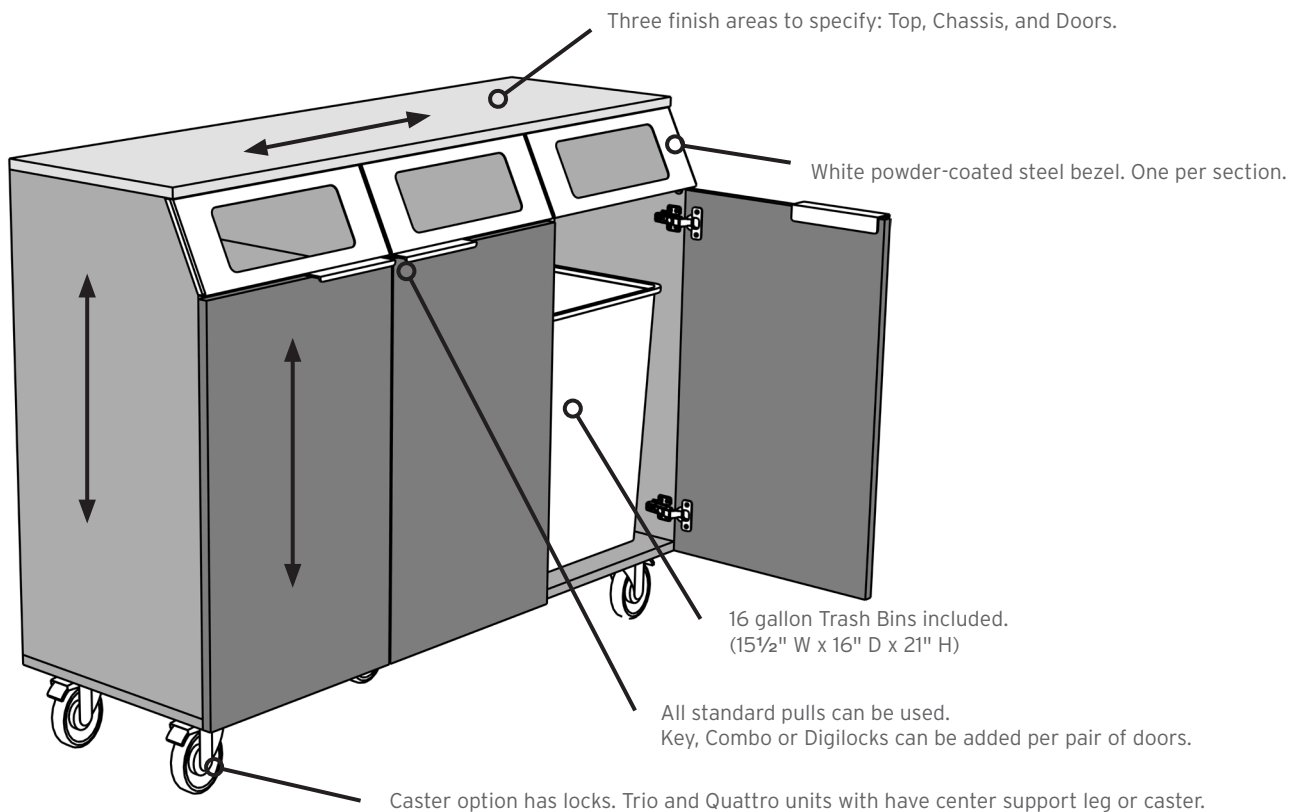
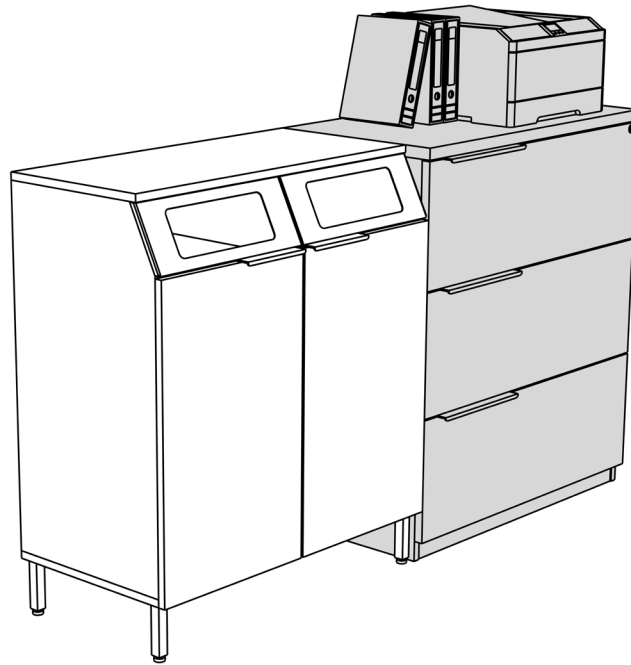
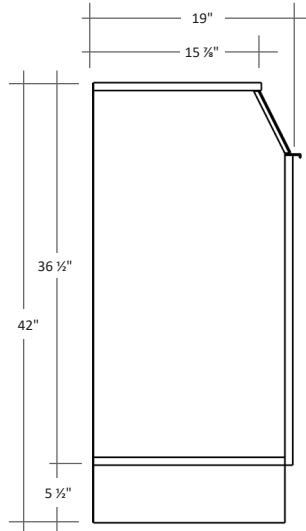
RENEW



DETAILS

- Units are 19" deep, and approximately 42" tall. ReNew is available in 4 widths each accommodating a different number of waste bins. No custom sizes are available.
- Available sizes in the ReNew Collection are:
 - ReNew Uno = 18" W - 1 Waste Bin. Handed. Available Left or Right.
 - ReNew Duo = 36" W - 2 Waste Bins. Nonhanded. Single bay, double door unit.
 - ReNew Trio = 54" W - 3 Waste Bins. Handed. 1 double door bay, 1 single door bay. Available Left or Right.
 - ReNew Quattro = 72" W - 4 Waste Bins. Nonhanded. 2 double door bays.
- 3 base styles available. Height will vary slightly by base style.
 - ReNew Leg = 35 1/2" H with adjustable glides. Glides allow 3/4" adjustability.
 - ReNew Plinth = 36" H with adjustable glides.
 - ReNew Caster = 36 1/8" H
- All 3/4" thick panels in TFL or HPL with Peter Pepper Products standard 2MM PVC edge banding.
- ReNew is designed to fit the Tough Guy 16 gallon trash bins (included).
- Locks can be added to unit, one per bay. See product pricing page for more information.
- Ships assembled.





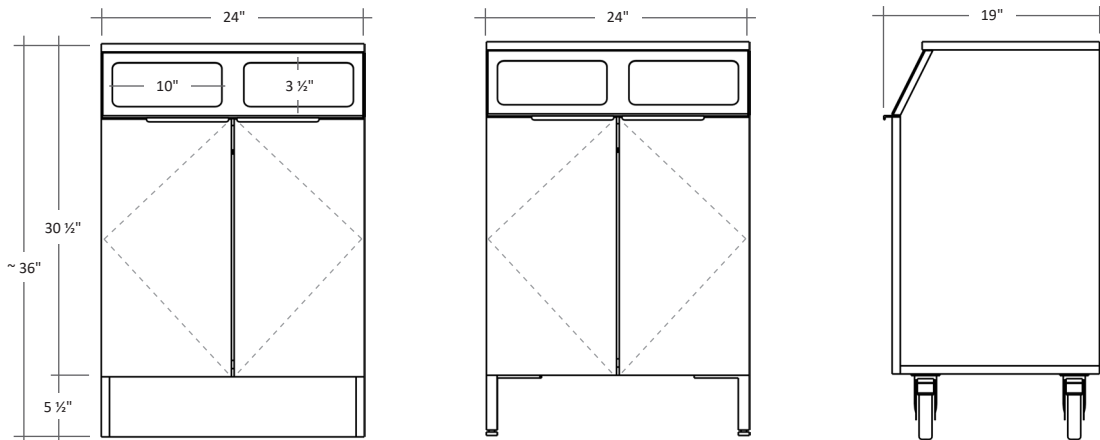


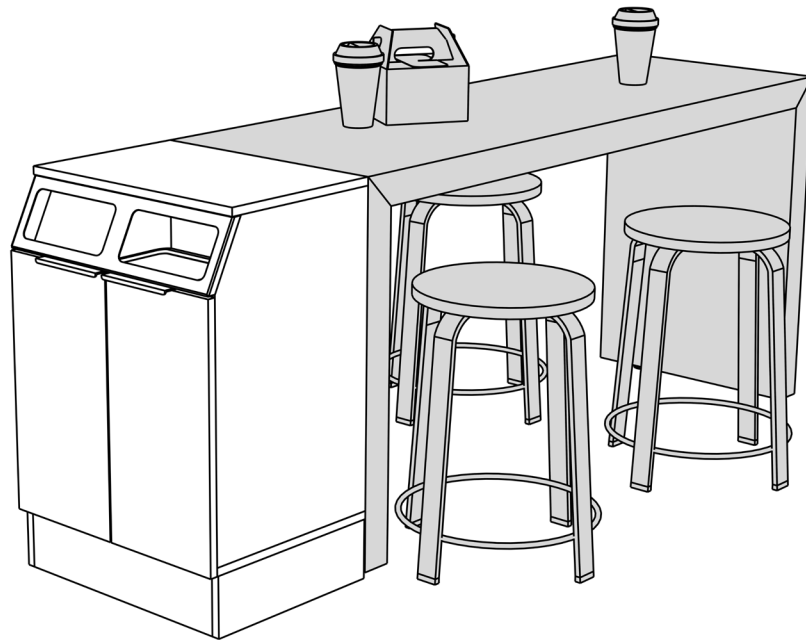
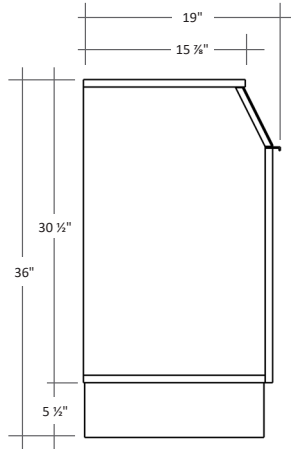
RENEW MINI



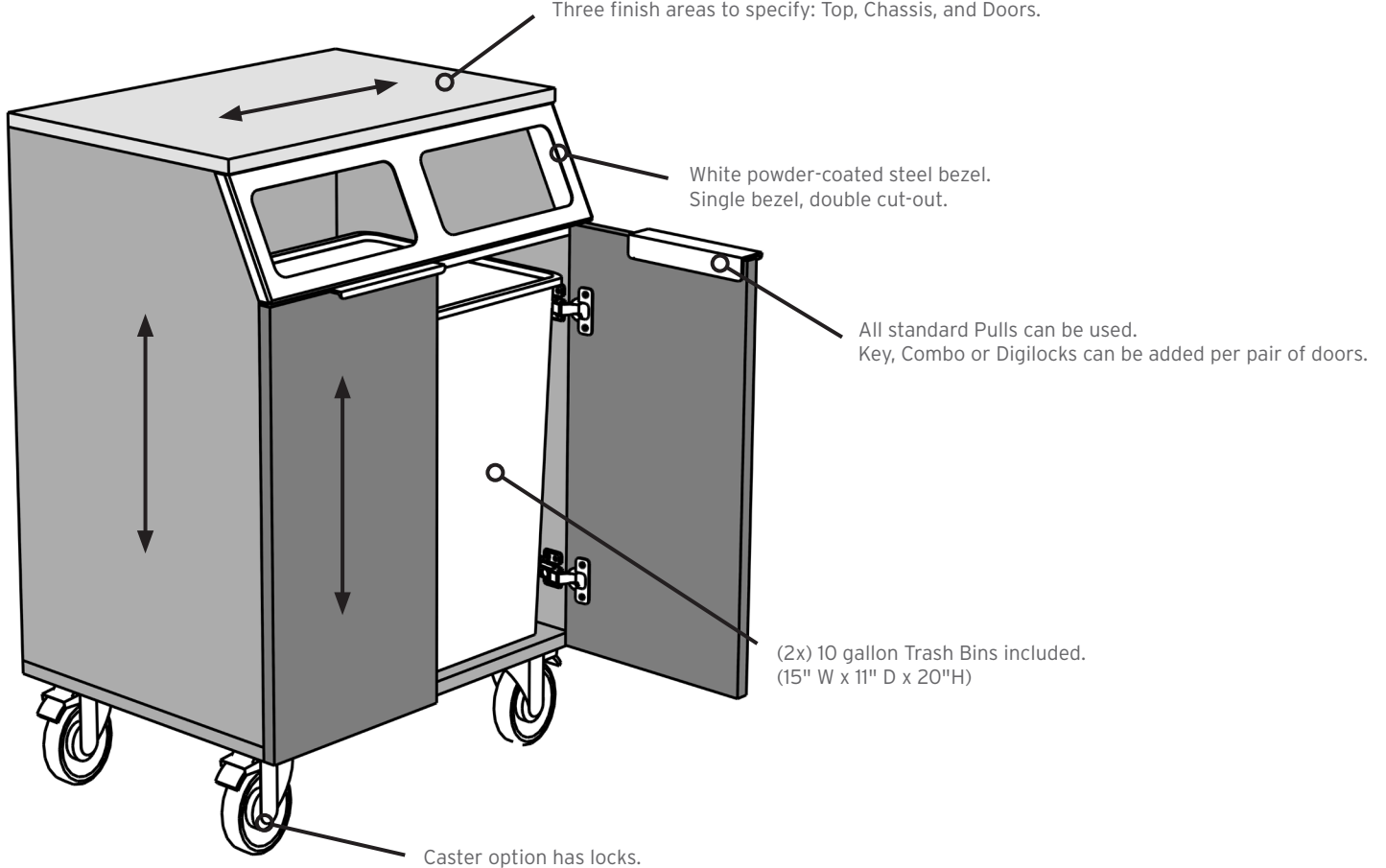
DETAILS

- ReNew Mini is 19" deep, 24" wide, and approximately 36" tall. No custom sizes are available.
- 3 base styles available. Height will vary slightly by base style.
 - ReNew Mini Leg = 35 1/2"H with adjustable glides. Glides allow 3/4" adjustability.
 - ReNew Mini Plinth = 36"H with adjustable glides. Glides allow 1/2" adjustability.
 - ReNew Mini Caster = 36 1/8"H
- All 3/4" thick panels in TFL or HPL with Peter Pepper Products standard 2MM PVC edge banding.
- ReNew Mini is a double door, single bay cabinet designed to fit 2 Rubbermaid 10 gallon Office Trash Cans (included).
- A lock can be added to unit, which will apply to both doors. See product pricing page for more information.
- Ships assembled.



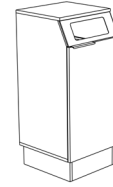
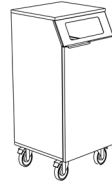
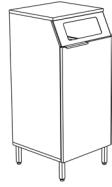


Three finish areas to specify: Top, Chassis, and Doors.





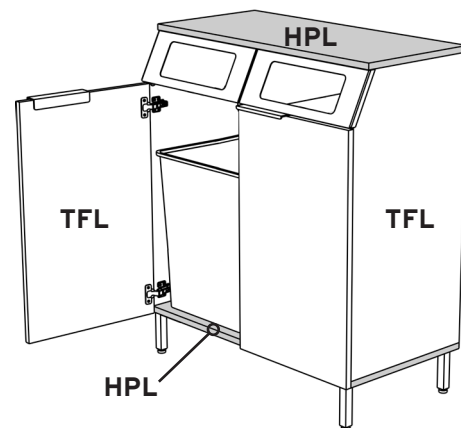
RENEW UNO



PRICING

Model Number	Width	Depth	Height	Bins	T1	T2	H1	HT
With Legs								
PSP-WSTL-1918-L-??	18	19	42	1	\$1,252	\$1,316	\$2,105	\$1,525
PSP-WSTL-1918-R-??								
With Casters								
PSP-WSTC-1918-L-??	18	19	42	1	\$1,240	\$1,304	\$2,093	\$1,508
PSP-WSTC-1918-R-??								
With Plinth								
PSP-WSTP-1918-L-??	18	19	42	1	\$1,075	\$1,142	\$1,932	\$1,347
PSP-WSTP-1918-R-??								

- 3/4" thick panels are TFL or HPL with Peter Pepper Products standard 2MM PVC edge banding, HPL self edge not available.
- Leg version is supported by (4x) 5 3/8" Stainless Steel legs with adjustable glides.
- Caster version is supported by (4x) 6" locking casters with 360° swivel.
- Plinth version has adjustable glides.
- Trash bezel is white powder-coated steel with a 4 1/2"x 12" cut-out. No other colors/materials available.
- Ships assembled. Includes ToughGuy Square 16 gallon Waste Bins. (1 per unit.)
- Locks can be added, 1 per door. POP-LOCK-ADD for \$107 for a key lock. PAC-LOCK-DIG1-SV for \$405 for digital lock, or PAC-LOCK-COM1-SV for \$268 for a combination dial lock. Digital and dial locks may require additional set-up tools, see pages 6-7 for more information.



HOW TO ORDER

Replace the "???" with T1" for Standard TFL, "T2" for Premium TFL, "H1" for Standard HPL or "HT" for an HPL/TFL combination. "HT" is a finish designation specific to this pricebook that refers to a combination HPL/TFL construction where the top and bottom panel of the waste sorting unit are HPL and the remainder is TFL. This configuration can provide maximum durability in applications involving exposure to liquid spills or frequent cleaning, at a lower price point than full HPL construction. See diagram on page 12.

Visit peterpepper.com to view additional laminate finish options.





RENEW DUO



PRICING

Model Number	Width	Depth	Height	Bins	T1	T2	H1	HT
With Legs								
PSP-WSTL-1936-??	36	19	42	2	\$1,946	\$2,038	\$3,224	\$2,181
With Casters								
PSP-WSTC-1936-??	36	19	42	2	\$1,934	\$2,026	\$3,283	\$2,238
With Plinth								
PSP-WSTP-1936-??	36	19	42	2	\$1,802	\$1,901	\$3,087	\$2,042

- 3/4" thick panels are TFL or HPL with Peter Pepper Products standard 2MM PVC edge banding, HPL self edge not available.
- Leg version is supported by (4x) 5 3/8" Stainless Steel legs with adjustable glides.
- Caster version is supported by (4x) 6" locking casters with 360° swivel.
- Plinth version has adjustable glides.
- Trash bezel is white powder-coated steel with a 4 1/2"x 12" cut-out. No other colors/materials available.
- Ships assembled. Includes ToughGuy Square 16 gallon Waste Bins. (2 per unit.)
- Locks can be added, 1 per pair of doors. POP-LOCK-ADD for \$107 for a key lock. PAC-LOCK-DIG1-SV for \$405 for digital lock, or PAC-LOCK-COM1-SV for \$268 for a combination dial lock. Digital and dial locks may require additional set-up tools, see pages 6-7 for more information.

HOW TO ORDER

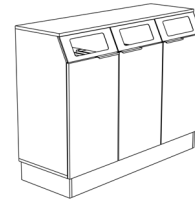
Replace the "???" with T1" for Standard TFL, "T2" for Premium TFL, "H1" for Standard HPL or "HT" for an HPL/TFL combination. "HT" is a finish designation specific to this pricebook that refers to a combination HPL/TFL construction where the top and bottom panel of the waste sorting unit are HPL and the remainder is TFL. This configuration can provide maximum durability in applications involving exposure to liquid spills or frequent cleaning, at a lower price point than full HPL construction. See diagram on page 12.

Visit peterpepper.com to view additional laminate finish options.





RENEW TRIO



PRICING

Model Number	Width	Depth	Height	Bins	T1	T2	H1	HT
With Legs								
PSP-WSTL-1954-L-??	54	19	42	3	\$2,547	\$2,648	\$3,836	\$3,085
PSP-WSTL-1954-R-??								
With Casters								
PSP-WSTC-1954-L-??	54	19	42	3	\$2,480	\$2,581	\$3,769	\$3,018
PSP-WSTC-1954-R-??								
With Plinth								
PSP-WSTP-1954-L-??	54	19	42	3	\$2,499	\$2,627	\$4,209	\$3,038
PSP-WSTP-1954-R-??								

- 3/4" thick panels are TFL or HPL with Peter Pepper Products standard 2MM PVC edge banding, HPL self edge not available.
- Leg version is supported by (6x) 5 3/8" Stainless Steel legs with adjustable glides.
- Caster version is supported by (5x) 6" locking casters with 360° swivel.
- Plinth version has adjustable glides.
- Trash bezel is white powder-coated steel with a 4 1/2"x 12" cut-out. No other colors/materials available.
- Ships assembled. Includes ToughGuy Square 16 gallon Waste Bins. (3 per unit.)
- Locks can be added, 2 per unit. (1 double door section, 1 single door.) POP-LOCK-ADD for \$107 for a key lock. PAC-LOCK-DIG1-SV for \$405 for digital lock, or PAC-LOCK-COM1-SV for \$268 for a combination dial lock. Digital and dial locks may require additional set-up tools, see pages 6-7 for more information.

HOW TO ORDER

Replace the "???" with T1" for Standard TFL, "T2" for Premium TFL, "H1" for Standard HPL or "HT" for an HPL/TFL combination. "HT" is a finish designation specific to this pricebook that refers to a combination HPL/TFL construction where the top and bottom panel of the waste sorting unit are HPL and the remainder is TFL. This configuration can provide maximum durability in applications involving exposure to liquid spills or frequent cleaning, at a lower price point than full HPL construction. See diagram on page 12.

Visit peterpepper.com to view additional laminate finish options.





RENEW QUATTRO



PRICING

Model Number	Width	Depth	Height	Bins	T1	T2	H1	HT
With Legs								
PSP-WSTL-1972-??	72	19	42	4	\$3,446	\$3,597	\$5,572	\$3,942
With Casters								
PSP-WSTC-1972-??	72	19	42	4	\$3,379	\$3,530	\$5,505	\$3,875
With Plinth								
PSP-WSTP-1972-??	72	19	42	4	\$3,205	\$3,363	\$5,341	\$3,711

- 3/4" thick panels are TFL or HPL with Peter Pepper Products standard 2MM PVC edge banding, HPL self edge not available.
- Leg version is supported by (6x) 5 3/8" Stainless Steel legs with adjustable glides.
- Caster version is supported by (5x) 6" locking casters with 360° swivel.
- Plinth version has adjustable glides.
- Trash bezel is white powder-coated steel with a 4 1/2"x 12" cut-out. No other colors/materials available.
- Ships assembled. Includes ToughGuy Square 16 gallon Waste Bins. (4 per unit.)
- Locks can be added, 2 per unit. (2 double door sections.) POP-LOCK-ADD for \$107 for a key lock. PAC-LOCK-DIG1-SV for \$405 for digital lock, or PAC-LOCK-COM1-SV for \$268 for a combination dial lock. Digital and dial locks may require additional set-up tools, see pages 6-7 for more information.

HOW TO ORDER

Replace the "???" with T1" for Standard TFL, "T2" for Premium TFL, "H1" for Standard HPL or "HT" for an HPL/TFL combination. "HT" is a finish designation specific to this pricebook that refers to a combination HPL/TFL construction where the top and bottom panel of the waste sorting unit are HPL and the remainder is TFL. This configuration can provide maximum durability in applications involving exposure to liquid spills or frequent cleaning, at a lower price point than full HPL construction. See diagram on page 12.

Visit peterpepper.com to view additional laminate finish options.





RENEW MINI



PRICING

Model Number	Width	Depth	Height	Bins	T1	T2	H1	HT
With Legs								
PSP-WSTL-1924-??	24	19	36	2	\$1,242	\$1,308	\$2,099	\$1,513
With Casters								
PSP-WSTC-1924-??	24	19	36	2	\$1,230	\$1,296	\$2,087	\$1,501
With Plinth								
PSP-WSTP-1924-??	24	19	36	2	\$1,082	\$1,153	\$1,943	\$1,358

- 3/4" thick panels are TFL or HPL with Peter Pepper Products standard 2MM PVC edge banding, HPL self edge not available.
- Leg version is supported by (4x) 5 3/8" Stainless Steel legs with adjustable glides.
- Caster version is supported by (4x) 6" locking casters with 360° swivel.
- Plinth version has adjustable glides.
- Trash bezel is white powder-coated steel with (2x) 3 1/2"x10" cut-outs. No other colors/materials available.
- Ships assembled. Includes Rubbermaid 10 gallon Office Trash Cans. (2 per unit.)
- Locks can be added, 1 per pair of doors. POP-LOCK-ADD for \$107 for a key lock. PAC-LOCK-DIGI-SV for \$405 for digital lock, or PAC-LOCK-COMI-SV for \$268 for a combination dial lock. Digital and dial locks may require additional set-up tools, see pages 6-7 for more information.

HOW TO ORDER

Replace the "???" with T1" for Standard TFL, "T2" for Premium TFL, "H1" for Standard HPL or "HT" for an HPL/TFL combination. "HT" is a finish designation specific to this pricebook that refers to a combination HPL/TFL construction where the top and bottom panel of the waste sorting unit are HPL and the remainder is TFL. This configuration can provide maximum durability in applications involving exposure to liquid spills or frequent cleaning, at a lower price point than full HPL construction. See diagram on page 12.

Visit peterpepper.com to view additional laminate finish options.





WASTE + RECYCLING BINS

Please note: Plastic waste bins are included with each ReNew Receptacle. The items listed below are suitable for use as replacements for those bins, or to be used independently.

PRICING



Model Number	Width	Length	Height	Capacity	Price
PAC-TRSH-BIN3	15 1/2	16	21	19gal	\$192

- Tough Guy 16 gallon Trash Bin in beige. Weight capacity 60lbs.
- Can be used as a replacement bin for the RENEW collection.



PAC-TRSH-BIN4	11	15	20	10gal	\$71
---------------	----	----	----	-------	------

- Rubbermaid 10 gallon Trash Bin in beige. Weight capacity 45lbs.
- Can be used as a replacement bin for the RENEW MINI collection.

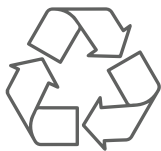


PAC-TRSH-BIN5	11	15	20	10gal	\$71
---------------	----	----	----	-------	------

- Rubbermaid 10 gallon Trash Bin in blue. Weight capacity 45lbs.
- Can be used as a replacement bin for the RENEW MINI collection.

VINYL GRAPHICS

PRICING



RECYCLE

Model Number	Price
AC-TRSH-ICON-WT	\$25
AC-TRSH-ICON-BK	\$25

- Vinyl graphic pack of 5 includes: Glass, Paper, Plastic, Recycle and Waste



WARRANTY, TERMS + CONDITIONS

For current warranty, terms and conditions, please visit peterpepper.com.





PETER PEPPER PRODUCTS

Los Angeles Headquarters
6525 Flotilla Street
Commerce, CA 90040

323.264.2260
www.peterpepper.com