



COHORT

MOBILE PEDESTAL

[PRICE LIST + SPECIFICATIONS](#)

Effective May 15, 2024

All Prices are Suggested List Price



COHORT

MOBILE PEDESTAL

REVISIONS

05.15.24

Product Launch





COHORT

MOBILE PEDESTAL

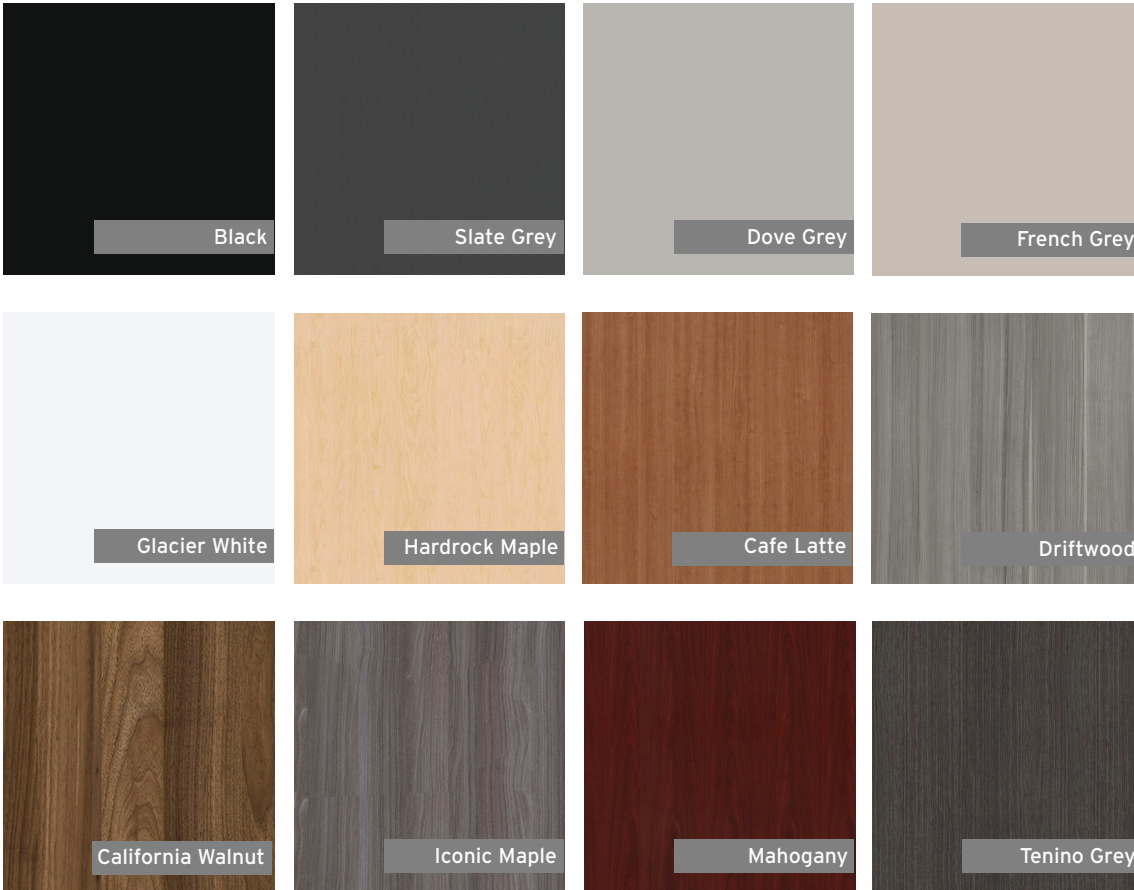
TABLE OF CONTENTS

| | |
|--------------------------------|------|
| Laminate Finishes | 4-5 |
| Pulls & Straps | 6 |
| Locks | 7 |
| Product Details | 8-11 |
| Box File Pedestal Style | 12 |
| Cabinet Styles | 13 |
| Tambour Style | 13 |
| The Workhorse | 14 |
| Accessories | 15 |
| Warranty, Terms and Conditions | 16 |



LAMINATE FINISHES

"T1" STANDARD THERMOFUSE LAMINATE (TFL)



Matching 2MM PVC edgbanding is available for all Standard TFL finishes shown here.
For HPL match information please visit peterpepper.com/finishes

LAMINATE FINISHES

"T2" PREMIUM TEXTURED THERMOFUSE LAMINATE (TFL)



Premium TFLs require a 10% upcharge. Add item code POP-TTFL-1. Matching 2MM PVC edgbanding is available for all Premium TFL finishes shown here. For HPL match information please visit peterpepper.com/finishes

HIGH PRESSURE LAMINATE (HPL)

STANDARD HPL

Pricing shown in this price list applies only to non-premium HPLs as follows:

- Wilsonart: Solids, Woodgrains, and Abstracts in Matte (-60) finish,
- Formica: Color Portfolio, Woodgrains, and Patterns in Matte (-58) finish
- Pionite: Solids, Woodgrains, and Abstracts in Suede (N) finish
- Arborite: Solids, Woodgrains, Textures and Abstracts in Matte (CA) finish
- Nevamar: Solids, Woodgrains, Stones and Abstracts in ARP (-T) finish

A minimum charge of \$520 net per HPL color will be applied to each order.

Call customer service for pricing for all other HPLs.

Additional lead times required for HPL orders depending on material availability and order complexity.

HPL is always available with Peter Pepper Products standard 2MM edgbanding.

Special order matching PVC 2MM edgbanding may be available for orders \$25,000 List or larger, call customer service for pricing.

ACCENT EDGE BANDING OPTIONS



Tangerine

Red

Scale Green

Arctic Blue

Storm Gray

PULLS + STRAPS

STANDARD DOOR/DRAWER PULLS

Pulls are included on all drawers and cabinet doors for no upcharge.



101SN



101BL



105SN



115SN



115BL



201SN



125SN*



125BL*



201BL

*The 125SN/BL pull is 7.5" long.

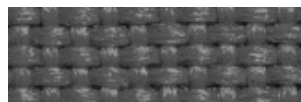
On smaller (< 10" wide) cabinet doors a 3" pull in the same style designated 123SN/BL will be used.

STRAPS

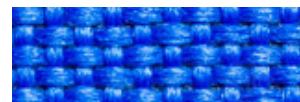
Nylon web straps are featured on the 3 largest Cohort styles for ease of transport.



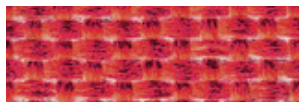
Black (BL)



Storm Grey (SY)



Arctic Blue (AB)



Red (RD)



Scale Green (SG)



Tangerine (TN)

LOCKS

KEY LOCK



- DETAILS**
- 2 keys per lock
 - Can "key alike" with other Peter Pepper Products laminate furniture. Use code PAC LOCK-101 to -200 for \$19 List each to specify key number

To order Master Key use PAC-LOCK-MSTR for \$118 list.

DIGITAL LOCK



- DETAILS**
- Brushed nickel finish and black keypad with numbers
 - Horizontal body orientation
 - All metal lock housing and manual dead bolt (turn knob)
 - Operated with user selected 4-digit code
 - Shared use application
 - Override and power bypass
 - Visual and audible indicator
 - Powered by 2 lithium CR2450 batteries, battery life is 180,000 cycles with average use

To specify this digital lock in place of of a key lock on any cabinet door, add PAC-LOCK-DIG2-SLV for \$405 list.

PROGRAMMING KEY



- DETAILS**
- One (1) programming key is required for each installation
 - Initializes new locks
 - Registers manager bypass key
 - Overrides user access
 - Allows management audit/inspection
 - Provides external power

To specify, add PAC-LOCK-VRSA-PKEY for \$164 list.

MANAGER KEY



- DETAILS**
- Minimum one (1) manager key is required for each installation, multiple keys may be used
 - Assigns access credential(s)
 - Overrides user access (in assigned use functionality)
 - Allows management audit/inspection
 - Provides external power

To specify, add PAC-LOCK-VRSA-MKEY for \$117 list.

ADA OPTIONS

US Access Board requires 5% of all locks to be ADA compliant.

ADA COMPLIANT KNOB



Allows door to be opened with one hand and does not require tight grasping, pinching or twisting of the wrist.

To promote universal access, Peter Pepper Products provides the ADA knob by default at no additional charge unless otherwise specified.

USER KEY



Allows user to operate the lock without using a user code. One key per locker.

To specify, add PAC-LOCK-VRSA-UKEY for \$54 list.

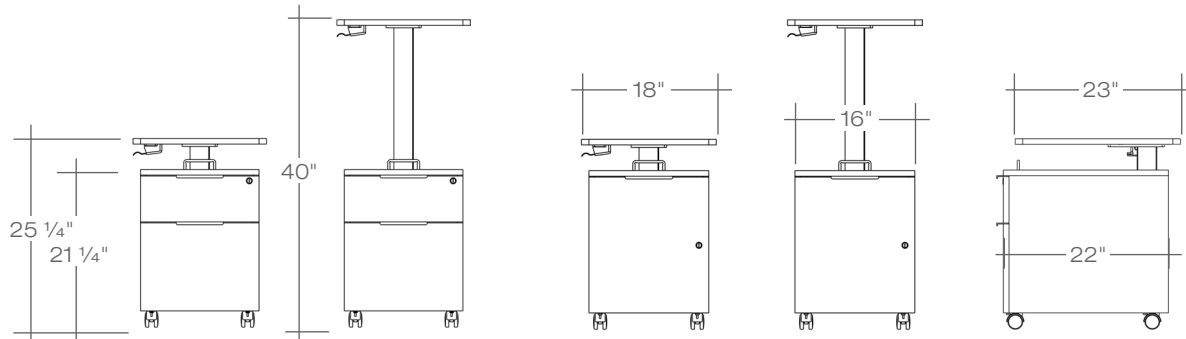


MOBILE PEDESTAL

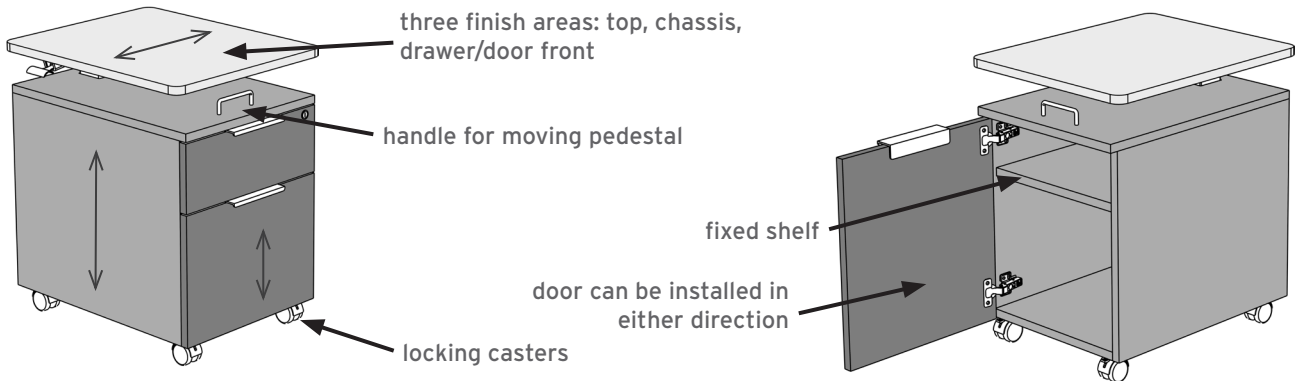


DETAILS

- All 3/4" thick panels in TFL or HPL with Peter Pepper Products standard 2MM PVC edge banding.
- Locking box drawer and file drawer set or single door cabinet.
- Pneumatic height adjustable column with easy one-handed lever operation.
- 2" locking casters.
- Ships assembled. The weight of the box-file unit is 82lbs.



FINISHES AND GRAIN DIRECTION



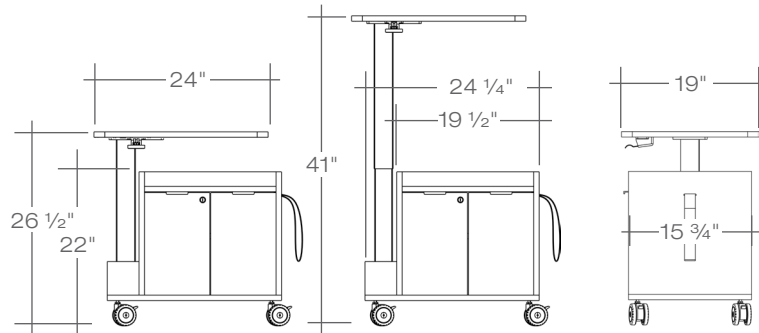


TWO-DOOR CABINET

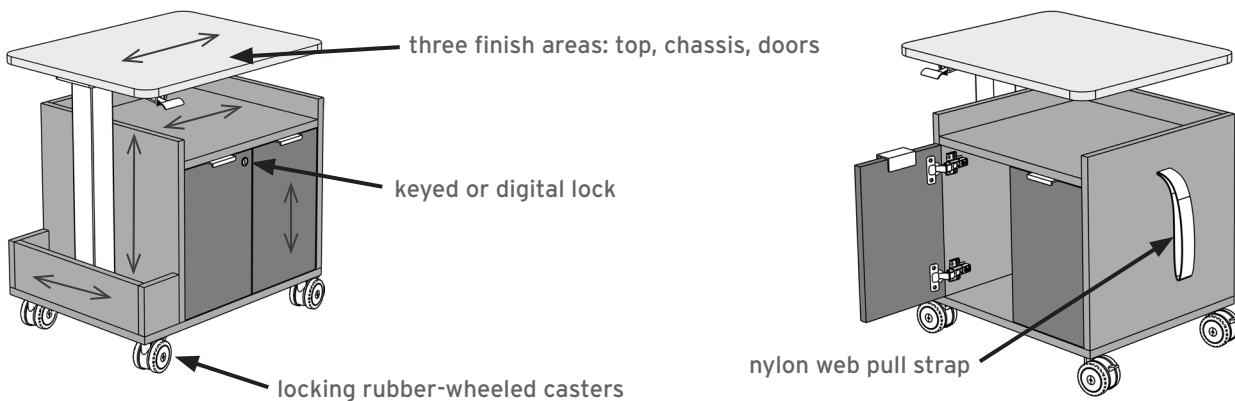


DETAILS

- All 3/4" thick panels in TFL or HPL with Peter Pepper Products standard 2MM PVC edge banding.
- Locking double door cabinet.
- Pneumatic height adjustable column with easy one-handed lever operation.
- Nylon web pull strap, available in 6 colors to match Peter Pepper Products contrast edgebanding.
- 3" locking casters with "quiet" wheels.
- Ships assembled. The weight of the 2 door cabinet unit is 61 lbs.



FINISHES AND GRAIN DIRECTION



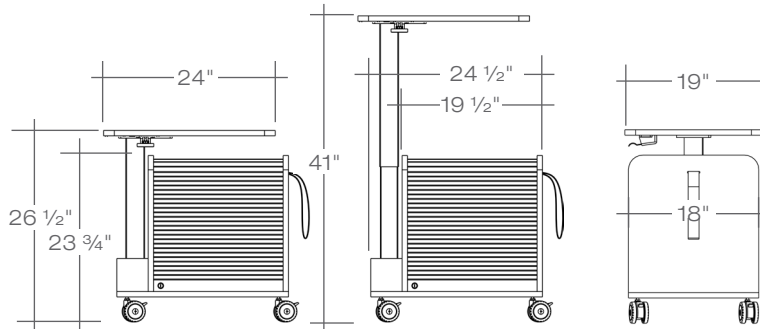


TAMBOUR CABINET

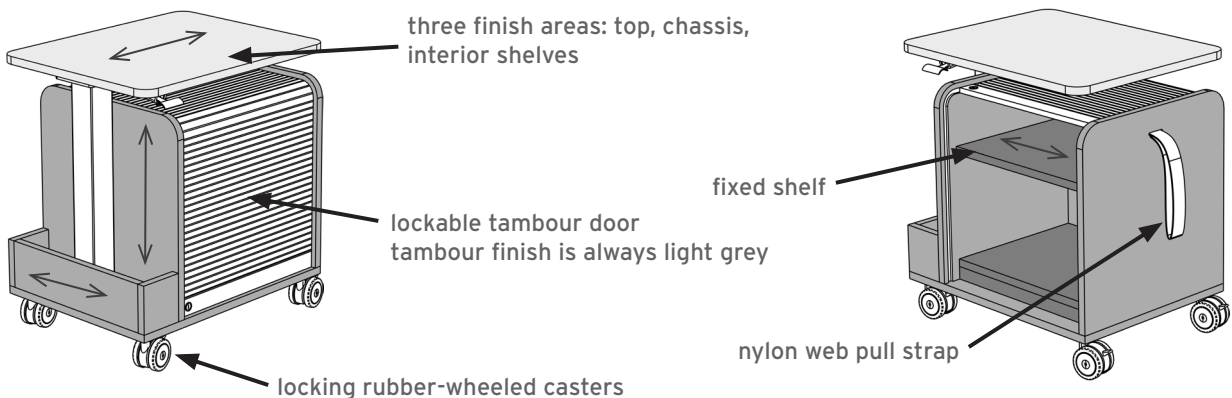


DETAILS

- All 3/4" thick panels in TFL or HPL with Peter Pepper Products standard 2MM PVC edge banding.
- Lockable tambour door.
- Tambour door comes standard with Anti-Slam hardware for a quiet close.
- 3" locking casters with "quiet" wheels.
- Pneumatic height adjustable column with easy one-handed lever operation.
- Ships assembled. The weight of the tambour unit is 65lbs.



FINISHES AND GRAIN DIRECTION



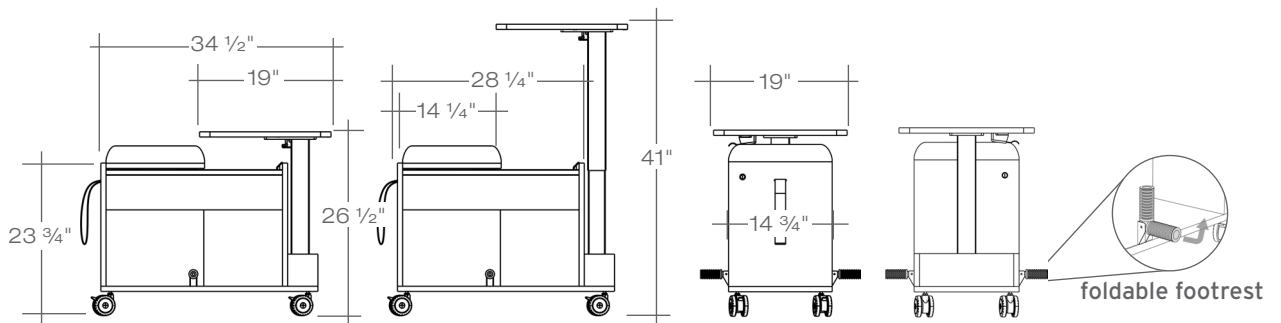


THE WORKHORSE

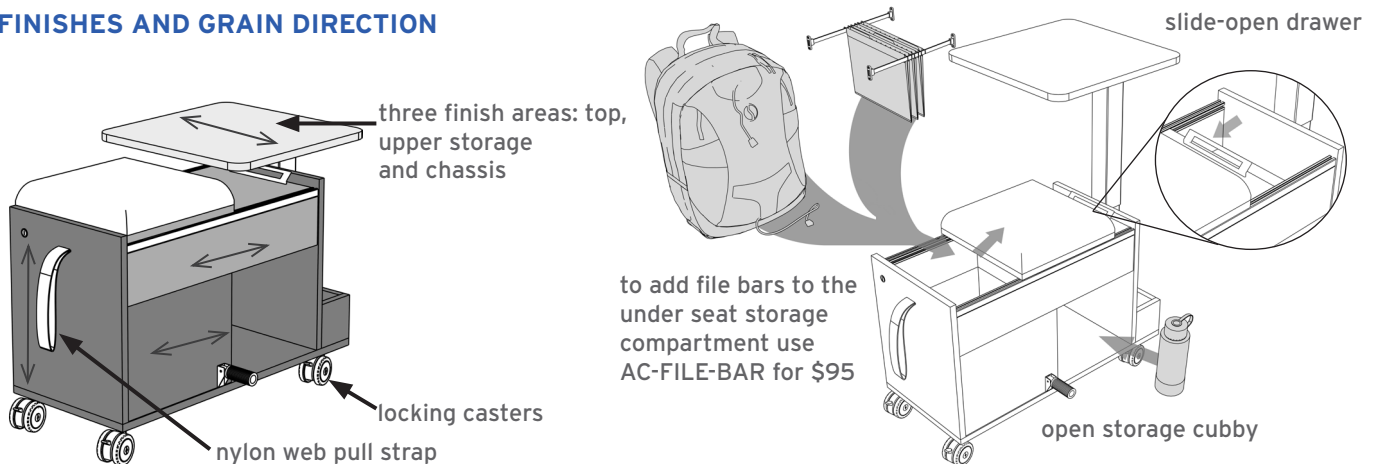


DETAILS

- All 3/4" thick panels in TFL or HPL with Peter Pepper Products standard 2MM PVC edge banding.
- Seated workbench with cushion. See website for fabric options.
- Pneumatic height adjustable column with easy one-handed lever operation.
- Nylon web pull strap, available in 6 colors to match contrast edgebanding.
- 3" locking casters with "quiet" wheels. Weight rated up to 500 lbs.
- Ships assembled. The weight of the workhorse unit is 73lbs.

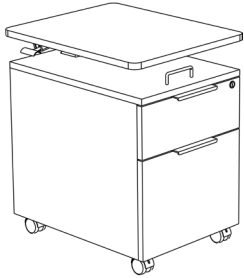


FINISHES AND GRAIN DIRECTION





box/file pedestal

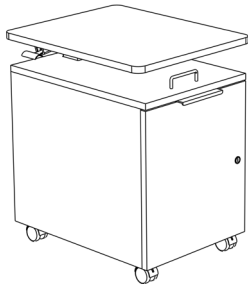


PRICING

| Model Number | Width | Depth | Height | Top Size | T1 | T2 |
|---------------------|-------|-------|----------|----------|---------|---------|
| Key Lock | | | | | | |
| PSK-BFP1-1822-K-?? | 16 | 22 | 25.25-40 | 18x23 | \$1,405 | \$1,502 |
| Digital Lock | | | | | | |
| PSK-BFP1-1822-D-?? | 16 | 22 | 25.25-40 | 18x23 | \$1,784 | \$1,881 |

- Includes five 2 1/4" hard plastic locking casters. To upgrade to (4x) 3 3/8" premium Cohort casters use POP-CAST-SK for \$170 List
- Top pull is standard, pull selection will affect pulls on the drawer fronts only.
- For digital locks, at least 1 Programming Key (PAC-LOCK-VRSA-PKEY \$164) and 1 Manager's Key (PAC-LOCK-VRSA-MKEY \$117) are required per project.
- Digital locks are ADA by default.

single-door cabinet



PRICING

| Model Number | Width | Depth | Height | Top Size | T1 | T2 |
|---------------------|-------|-------|----------|----------|---------|---------|
| Key Lock | | | | | | |
| PSK-CAB1-1822-K-?? | 16 | 22 | 25.25-40 | 18x22 | \$1,249 | \$1,330 |
| Digital Lock | | | | | | |
| PSK-CAB1-1822-D-?? | 16 | 22 | 25.25-40 | 18x22 | \$1,628 | \$1,709 |

- Includes five 2 1/4" hard plastic locking casters. To upgrade to (4x) 3 3/8" premium Cohort casters use POP-CAST-SK for \$170 List
- Top pull is standard, pull selection will affect pulls on the door only.
- Cabinet is not handed - door can be hung in either direction at install.
- For digital locks, at least 1 Programming Key (PAC-LOCK-VRSA-PKEY \$164) and 1 Manager's Key (PAC-LOCK-VRSA-MKEY \$117) are required per project.
- Digital locks are ADA by default.

HOW TO ORDER

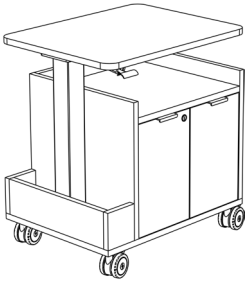
Replace the first "???" with "T1" for standard TFL, or "T2" for premium TFL. Replace the second "???" with BK, SY, AB, RD, TN or SG to indicate strap color. On your order, please specify if edgeband finish is different than the top finish.

Visit peterpepper.com to view additional laminate finish options.





two-door cabinet

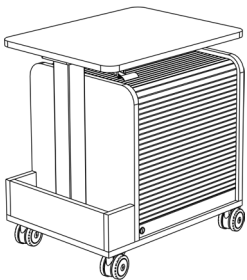


PRICING

| Model Number | Width | Depth | Height | Top Size | T1 | T2 |
|-----------------------|-------|-------|---------|----------|---------|---------|
| Key Lock | | | | | | |
| PSK-CAB2-2419-K-??-?? | 24.5 | 16 | 26.5-41 | 24x19 | \$1,546 | \$1,639 |
| PSK-CAB2-2419-D-??-?? | 24.5 | 16 | 26.5-41 | 24x19 | \$1,925 | \$2,018 |

- Includes four 3 3/8" rubber wheel "quiet" locking casters.
- For digital locks, at least 1 Programming Key (PAC-LOCK-VRSA-PKEY \$164) and 1 Manager's Key (PAC-LOCK-VRSA-MKEY \$117) are required per project.
- Digital locks are ADA by default.

tambour cabinet



PRICING

| Model Number | Width | Depth | Height | Top Size | T1 | T2 |
|-----------------------|-------|-------|---------|----------|---------|---------|
| Key Lock | | | | | | |
| PSK-TAM1-2419-K-??-?? | 24.5 | 18 | 26.5-42 | 24x19 | \$1,945 | \$2,078 |
| Digital Lock | | | | | | |
| PSK-TAM1-2419-D-??-?? | 24.5 | 18 | 26.5-41 | 24x19 | \$2,324 | \$2,457 |

- Tambour door comes standard with anti-slam "quiet closure" hardware installed.
- Includes four 3 3/8" rubber wheel "quiet" locking casters.
- For digital locks, at least 1 Programming Key (PAC-LOCK-VRSA-PKEY \$164) and 1 Manager's Key (PAC-LOCK-VRSA-MKEY \$117) are required per project.
- Digital locks are ADA by default.

HOW TO ORDER

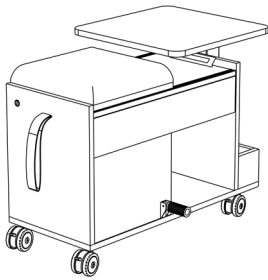
Replace the first "???" with "T1" for standard TFL, or "T2" for premium TFL. Replace the second "???" with BK, SY, AB, RD, TN or SG to indicate strap color. On your order, please specify if edgeband finish is different than the top finish.

Visit peterpepper.com to view additional laminate finish options.





the workhorse



PRICING

| Model Number | Width | Depth | Height | Top Size | T1 | T2 |
|---------------------------|-------|-------|---------|----------|---------|---------|
| Key Lock | | | | | | |
| PSK-WKH1-3319-K-??-??-GR1 | 32.5 | 14.75 | 26.5-41 | 19x19 | \$2,340 | \$2,492 |
| PSK-WKH1-3319-K-??-??-GR2 | 32.5 | 14.75 | 26.5-41 | 19x19 | \$2,395 | \$2,547 |
| PSK-WKH1-3319-K-??-??-GR3 | 32.5 | 14.75 | 26.5-41 | 19x19 | \$2,436 | \$2,588 |
| PSK-WKH1-3319-K-??-??-GR4 | 32.5 | 14.75 | 26.5-41 | 19x19 | \$2,484 | \$2,636 |
| PSK-WKH1-3319-K-??-??-GR5 | 32.5 | 14.75 | 26.5-41 | 19x19 | \$2,537 | \$2,689 |
| Digital Lock | | | | | | |
| PSK-WKH1-3319-D-??-??-GR1 | 32.5 | 14.75 | 26.5-41 | 19x19 | \$3,098 | \$3,250 |
| PSK-WKH1-3319-D-??-??-GR2 | 32.5 | 14.75 | 26.5-41 | 19x19 | \$3,153 | \$3,305 |
| PSK-WKH1-3319-D-??-??-GR3 | 32.5 | 14.75 | 26.5-41 | 19x19 | \$3,194 | \$3,346 |
| PSK-WKH1-3319-D-??-??-GR4 | 32.5 | 14.75 | 26.5-41 | 19x19 | \$3,242 | \$3,394 |
| PSK-WKH1-3319-D-??-??-GR5 | 32.5 | 14.75 | 26.5-41 | 19x19 | \$3,295 | \$3,447 |

- There are two separate locking sections on the Workhorse.
- Includes four 3 3/8" rubber wheel "quiet" locking casters.
- Sliding drawer pull is standard, pull selection will affect pulls on the door only.
- For digital locks, at least 1 Programming Key (PAC-LOCK-VRSA-PKEY \$164) and 1 Manager's Key (PAC-LOCK-VRSA-MKEY \$117) are required per project.
- Digital locks are ADA by default.

HOW TO ORDER

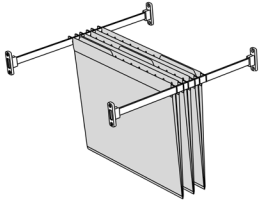
Replace the first "???" with "T1" for standard TFL, or "T2" for premium TFL. Replace the second "???" with BK, SY, AB, RD, TN or SG to indicate strap color. On your order, please specify if edgeband finish is different than the top finish.

Visit peterpepper.com to view additional laminate finish options.





ACCESSORIES



| Model Number | Description | Price |
|--------------|-------------------------------------|-------|
| PAC-FILE-BAR | hanging file bar set w/ pencil tray | \$84 |



WARRANTY, TERMS + CONDITIONS

For current warranty, terms and conditions, please visit peterpepper.com.





PETER PEPPER PRODUCTS

Los Angeles Headquarters
6525 Flotilla Street
Commerce, CA 90040

323.264.2260
www.peterpepper.com