



Section 9

SHOWCASE COLLECTION

PepperMint® & MiniMint®

*Freestanding
Wall Mounted
Counter Top*

PRICE LIST & SPECIFICATIONS

Effective January 1, 2026

All Prices are Suggested List Price

Updated 11.03.25

©11/2024

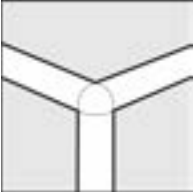


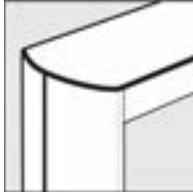
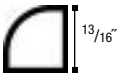
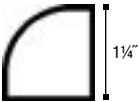

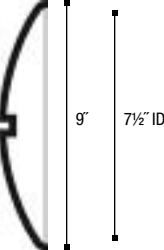


OSHPD Seismic Compliant
Anchorage in California



Specifications PepperMint® & MiniMint® Showcase Collection

Aluminum Extrusion Profiles

Mini Quarter Round	Quarter Round	Circular	Elliptical
Model MMW	Model PMC-B PMS-E PMC-GL PMS-E-GL PMS-B PMW PMS-GL	Model US USZ USZ-B	Model ESZ ESW-Z ESZ-B ESW-S REW
			
			

Standard Features

All models are assembled, crated and shipped by truck.

Frame Finishes: Natural Anodized Aluminum or PPP Color. Upcharge for PPP Color.

Glass: Sliding doors, panels and tops: 5/32" thick tempered glass. Gliding or hinged doors, counter & tops: 1/4" thick tempered glass.

Adjustable Shelving: 1/4" thick tempered glass on models thru 42" wide and models 60" to 72" wide with center shelf support. 3/8" thick non-tempered glass on models 48" wide. Exposed edges are polished. Concealed edges cushioned with anti-rattle extrusions.

All Doors: Always on width side of showcase, unless otherwise specified.

Hinged Doors: On all 24" width models. Plate hinges on models with 48" door height or more.

Sliding Doors: On models where door width exceeds 24" and door height is less than 36", except model PMC-GL. Doors slide smoothly in plastic track.

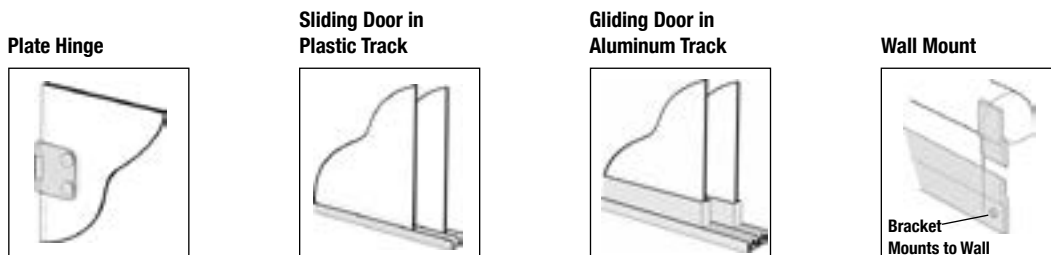
Gliding Doors: On PMS models, doors glide on roller bearings, in an aluminum track.

Locks: Included on all hinged, sliding and gliding doors.

Bottom Shelf: 5/8" thick particle board, melamine finish.

Wall Mounting Cleat/Bracket: Included, with hardware.

Adjustable Foot Glides: Included on freestanding models.



Panels

Hardboard panels available in any PPP Color. See PPP Color Card.

COM: Customer's Own Material. See COM Shipping instructions next page.



Options

Plinths

Optional on models PMS, US and USZ.

Black finish standard.

Adjustable foot glides included. Plinth height adds to total height of case.

	List
2" height	\$ 219
4" height	287
6" height	353

Lockable Casters - 2"

Available on models ES, US, PMS and PMC

Case Width

24" to 48" wide..... Set of 4	333
Over 48" to 72" wide..... Set of 6	419

Lockable Accessible Storage

Optional on models PMS-B, PMS-E, PMS-E-GL and USZ-B, 24" width or more 389

Includes sliding hardboard door panels with integral key lock. Available in any PPP Color. *See PPP Color Card.*

Replacement Lock & Keys

Hinged Doors	107
Sliding Doors	69
Gliding Doors	125

Replacement Shelf Pins

Specify model 13 ea.

Replacement Wall Mount Cleat

Top & bottom brackets - Per Lineal Foot 18

Back Panel

Hardboard back panel: Available in any PPP Color. *See PPP Color Card* 201

Grommets - 2"

Please contact factory to specify location 103

Specials

Custom showcase sizes available. Please submit your requirements to specials@peterpepper.com.



Optional Lighting System Specifications



PMW-S
Illustrated with optional Recessed Lighting. Linear or Fluorescent Lighting also available on PMW-S & MMW-S

Linear Lighting, Low Voltage LED

LED lamps are one of the smallest, hi-intensity light sources available. Spaced 9" to 12" apart, this energy-efficient linear lighting provides multiple-point sources for a brighter, whiter light that gives extraordinary brilliance to the merchandise. Ideal for products, awards, trophies, jewelry and glassware displays.

Mounting

Linear lighting mounted in a 1¼" diameter aluminum extrusion at top front of display case, door side unless otherwise specified. The transformer is remotely mounted in base, plinth, soffit or under bottom panel of models PMS-L, PMS-C and PMS-Q.

When ordering models PMS-GL or USZ, specify 4" or 6" plinth for transformer mounting area.

Finishes: Natural Anodized Aluminum.

Standard Equipment (UL Listed)

Showcase light, downtube, flex, transformer, switch and 6' power cord.

- 2,500 lumens, 137 lpw
- 60 diodes per inch.
- Instant On and Flicker Free
- Lumens: 2000
- Color Temp: 5000
- Warranty: 5 years
- Rated Life: 50,000 Hour Life

Recommended Lighting

Case Width	Lamp Width	List	Case Width	Lamp Width	List
24" - 30"	18"	\$ 1096	48" - 60"	45"	\$ 1405
36"	33"	1268	72"	70"	1572
42"	39"	1279			

Custom case lighting on request.

Recessed Lighting, Low Voltage LED

LED lighting system is designed for recessed mounting.

Soffit areas conceal the transformer & fixtures in the top or bottom area of the showcase.

LED lighting provides brighter, whiter light that gives extraordinary brilliance to the merchandise.

Recessed lighting may also be incorporated into custom showcases.

Mounting

The LED fixtures are equally spaced and recessed into the top inside panel of the display area.

Trim ring is 2¾" dia. and extends ¼" below the finished panel. The top inside panel finish is black.

The transformer is remotely mounted in the soffit area. A 10' power cord exits at the top rear panel of the soffit on models ESW-S, PMW-S, and MMW-S.

On models PMS-E, ESZ, ESZ-B, US, USZ and USZ-B, the cord exits at the bottom of the case.

Not available on Model US (S) Spacer Top.

Finishes

Standard finish: Black. Fixture housings and trim rings are made of high temperature polycarbonate injection molded resin. The reflector system is made of high-grade aluminum, bright-dipped and anodized for maximum performance. The trim rings have a 3mm thick tempered clear glass lens which meets UL requirements.

Standard Equipment (UL Listed)

12 volt LED lamps, housing with trim rings and transformer with 10' power cord and switch. Additional fixtures available. Please submit your requirements.

Lighting Specifications

- Bulb: 12 volt LEDP module 60WH-3020 @ 2.4 Watts each module uses 24PCS of 5MM LED's.
- Color Temp: 6000K White.
- Luminous Flux: 150 LM.
- Lifespan: Up to 50,000 hours.
- Transformer: 120 volt, AC, 12 volt secondary @ 1 amp.

Note

Low voltage LED lamps are low-heat, UV safe and acceptable for museum/archival materials.

Recommended Lighting

Case Width	No. of Lamps	List	Case Width	No. of Lamps	List
24"	2	\$ 737	60"	5	\$ 1563
30" - 36"	3	944	72"	6	1768
42" - 48"	4	1388			

Custom case lighting on request.

Models PMS-GL and PMS-B

- Add \$882 List for the addition of a lighting soffit area.
- When ordering model PMS-GL specify a plinth for transformer mounting area.



PepperMint® Showcases

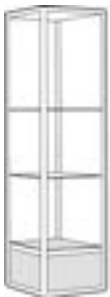
Model PMS-GL • All Glass

Model PMS-B • Panel Base

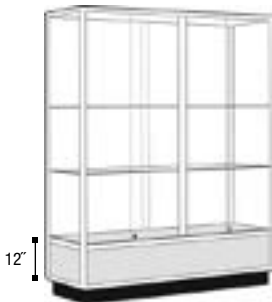


PMS-GL

Illustrated with optional plinth.

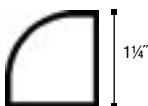


PMS-B



PMS-B, 72" w

Illustrated with 2 sets of gliding doors and optional plinth.



Aluminum Quarter Round

Model	Size	Door Types		[GL]	[B]	Upcharge PPP Color Frame	NET Crafting Charge	Est. Ship Weight
		PMS-GL	PMS-B					
PMS[??]RA247215	24"w x 72"h x 15"d	hinged	hinged	\$6,089	\$6,433	\$609	\$401	213*
PMS[??]RA247218	24"w x 72"h x 18"d	hinged	hinged	\$6,368	\$6,694	\$637	\$420	234*
PMS[??]RA247224	24"w x 72"h x 24"d	hinged	hinged	\$6,930	\$7,085	\$693	\$453	276*
PMS[??]RA307215	30"w x 72"h x 15"d	gliding	gliding	\$6,891	\$7,085	\$689	\$435	252*
PMS[??]RA307218	30"w x 72"h x 18"d	gliding	gliding	\$7,198	\$7,368	\$720	\$453	275*
PMS[??]RA307224	30"w x 72"h x 24"d	gliding	gliding	\$7,816	\$7,946	\$782	\$486	322*
PMS[??]RA363615	36"w x 36"h x 15"d	gliding	gliding	\$5,145	\$4,506	\$515	\$365	164*
PMS[??]RA363618	36"w x 36"h x 18"d	gliding	gliding	\$5,358	\$4,689	\$536	\$383	180*
PMS[??]RA363624	36"w x 36"h x 24"d	gliding	gliding	\$5,777	\$5,062	\$578	\$410	214*
PMS[??]RA367215	36"w x 72"h x 15"d	gliding	gliding	\$7,421	\$7,594	\$742	\$463	286*
PMS[??]RA367218	36"w x 72"h x 18"d	gliding	gliding	\$7,753	\$7,942	\$775	\$483	313*
PMS[??]RA367224	36"w x 72"h x 24"d	gliding	gliding	\$8,423	\$8,519	\$842	\$514	364*
PMS[??]RA427215	42"w x 72"h x 15"d	gliding	gliding	\$7,947	\$8,106	\$795	\$491	322*
PMS[??]RA427218	42"w x 72"h x 18"d	gliding	gliding	\$8,308	\$8,434	\$831	\$841	350*
PMS[??]RA427224	42"w x 72"h x 24"d	gliding	gliding	\$9,032	\$9,098	\$903	\$541	408*
PMS[??]RA487215	48"w x 72"h x 15"d	gliding	gliding	\$9,439	\$9,341	\$944	\$518	389*
PMS[??]RA487218	48"w x 72"h x 18"d	gliding	gliding	\$9,985	\$9,812	\$999	\$535	427*
PMS[??]RA487224	48"w x 72"h x 24"d	gliding	gliding	\$11,082	\$10,758	\$1,108	\$566	505*
PMS[??]RA724818	±72"w x 48"h x 18"d	gliding	gliding	\$10,953	\$10,949	\$1,096	\$553	401*
PMS[??]RA726018	±72"w x 60"h x 18"d	gliding	gliding	\$12,006	\$11,996	\$1,201	\$596	465*
PMS[??]RA727218	±72"w x 72"h x 18"d	gliding	gliding	\$13,659	\$13,652	\$1,366	\$635	548*
PMS[??]RA724824	±72"w x 48"h x 24"d	gliding	gliding	\$11,775	\$11,647	\$1,177	\$584	467*
PMS[??]RA726024	±72"w x 60"h x 24"d	gliding	gliding	\$12,860	\$12,734	\$1,286	\$622	534*
PMS[??]RA727224	±72"w x 72"h x 24"d	gliding	gliding	\$14,689	\$14,562	\$1,469	\$667	630*

Options

Plinth: 2'h, 4'h or 6'h. Black finish. See page 91. Lighting: See page 92.

Lockable Accessible Storage on Model PMS-B

\$388

Hardboard back panel - any PPP Color. Replaces Glass.

\$201

Shipped by Truck*

To Order Specify

- Quantity
- Model PMS-GL or PMS-B
- Frame Finish Code. Upcharge for PPP Color
- Size: W x H x D
- PMS-B Panel Base: PPP Color
- Add NET Crating Charge**
- Options**

Finishes

- RA** Natural Anodized Aluminum
- RC** PPP Color - Upcharge

See PPP Color Card

Specifications

- Adjustable shelves: 1/4" thick tempered glass, 3/8" thick non-tempered glass on 48" wide models.
- Glass shelves included: PMS-GL: 36"h - 2 48"h - 3 60"h - 3 72"h - 4
PMS-B: 36"h - 1 48"h - 2 60"h - 2 72"h - 3
- Doors are on width side of showcase, unless otherwise specified. Door locks included.
- PMS-B models feature 12'h hardboard panel base available in any PPP Color.
- Bottom shelf finish: Black melamine. ±72" width models include 2 sets of doors, center frame
- Adjustable foot glides included. and center shelf supports.



PepperMint® Freestanding Counters & Etageres

Model PMC-GL • All Glass

Model PMS-E-GL • All Glass

Model PMC-B • Panel Base

Model PMS-E • Open Display

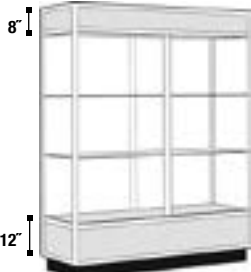


PMC-GL



PMC-B

12"

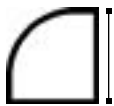


PMS-E-GL, 72" w

Illustrated with Optional Plinth

8"

12"



Aluminum Quarter Round

PMC-GL & PMC-B • Freestanding Counters		[GL]	[B]	Upcharge PPP Color Frame	NET Crafting Charge	Est. Ship Weight
Model	Size					
PMC[??]RA484220	48"w x 42"h x 20"d	\$6,990	\$6,030	\$699	\$459	275*
PMC[??]RA484224	48"w x 42"h x 24"d	\$7,451	\$6,408	\$745	\$475	309*
PMC[??]RA724224	±72"w x 42"h x 24"d	\$10,179	\$8,744	\$1,018	\$561	396*

± 72" width models include 2 sets of doors, center frame and center shelf supports.

Options

Lighting: See page 92.

Shipped by Truck*

PMS-E & PMS-E-GL • Freestanding Etageres			[GL]	Upcharge PPP Color Frame	NET Crafting Charge	Est. Ship Weight
Model	Size					
PMSE[??]RA488418	48"w x 84"h x 18"d	gliding	\$6,970	\$10,199	\$697	406*
PMSE[??]RA488424	48"w x 84"h x 24"d	gliding	\$7,714	\$11,133	\$772	491*
PMSE[??]RA608418	±60"w x 84"h x 18"d	gliding	\$9,151	\$13,948	\$915	477*
PMSE[??]RA608424	±60"w x 84"h x 24"d	gliding	\$10,092	\$15,051	\$1,009	557*
PMSE[??]RA728418	±72"w x 84"h x 18"d	gliding	\$9,977	\$15,223	\$998	586*
PMSE[??]RA728424	±72"w x 84"h x 24"d	gliding	\$11,047	\$16,461	\$1,105	623*

± 60" & 72" width models include center frame and center shelf supports.

± 60" & 72" width GL models include 2 sets of gliding doors.

Options

Plinth: 2" h, 4" h or 6" h. Black finish. See page 91.

Lighting: See page 92.

Lockable Accessible Storage on Model PMS-B

\$388

Hardboard back panel - any PPP Color. Replaces Glass.

\$201

Shipped by Truck*

To Order Specify

- Quantity
- Model: PMC-GL, PMC-B, PMS-E or PMS-E-GL
- Frame Finish Code. Upcharge for PPP Color
- Size: W x H x D
- Panel Base: PPP Color (except Model PMC-GL)
- Add NET Crating Charge
- Options

Finishes

- RA Natural Anodized Aluminum
RC PPP Color - Upcharge

See PPP Color Card

Specifications

PMC-GL & PMC-B:

- PMC-GL models: Feature total glass enclosure, includes 2 shelves. Gliding lockable doors. Door locks included.
- PMC-B models: Glass display height of 26". Includes 1 shelf. Sliding lockable doors. Hardboard panel base with accessible locking storage and available in any PPP Color.
- Plinth: 4", black finish. Adjustable foot glides included.
- Tempered glass throughout with flush mounted top glass, 1/4" thick.
- Doors are on width side of showcase, unless otherwise specified. Door locks included.
- Adjustable shelves: 1/4" thick tempered glass, 3/8" thick non-tempered glass on 48" wide models.
- Bottom shelf finish: Black melamine.

PMS-E & PMS-E-GL:

- PMS-E features open frame display. No glass front, sides or back.
- PMS-E-GL features a glass enclosure with top and base panels. Doors are on width side of showcase, unless otherwise specified. Door locks included.
- Hardboard base panel 12" h and top panel 8" h available in any PPP Color.
- Top panel area can accommodate lighting. For lighting, See page 92.
- Adjustable shelves (3), 3/8" thick non-tempered glass.
- Bottom shelf finish: Black melamine.
- Adjustable foot glides included.

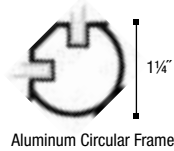


PepperMint® Showcases

Model US • All Glass with Wood Tops



US
Shown with Traditional Top Detail
and Optional Plinth



Aluminum Circular Frame

Model	Size	Door Type	# of Shelves	All Glass US	Upcharge PPP Color Frame	NET Crafting Charge	Est. Ship Weight
USA247224	24"w x 72"h x 24"d	1 hinged	4	\$5,743	\$574	\$453	278*
USA306024	30"w x 60"h x 24"d	2 hinged	3	\$6,676	\$667	\$453	272*
USA307224	30"w x 72"h x 24"d	2 hinged	4	\$7,547	\$755	\$486	320*
USA307230	30"w x 72"h x 30"d	2 hinged	4	\$8,110	\$811	\$510	367*
USA367218	36"w x 72"h x 18"d	2 hinged	4	\$7,434	\$743	\$483	307*
USA367224	36"w x 72"h x 24"d	2 hinged	4	\$8,063	\$806	\$514	362*
USA427218	42"w x 72"h x 18"d	2 hinged	4	\$7,889	\$789	\$510	345*
USA427224	42"w x 72"h x 24"d	2 hinged	4	\$8,581	\$858	\$541	402*

Options

Plinth: 2'h, 4'h or 6'h. Black finish. *See page 91.*
 Recessed lighting. Plinth required. Not available on (S) Spacer Top. *See page 92.*
 Hardboard back panel - any PPP Color. Replaces Glass.

\$201

Shipped by Truck*

Tops Available



(S) Spacer Top
PPP Color Only

To Order Specify		
<ol style="list-style-type: none"> Quantity Model: US Frame Finish Code. Upcharge for PPP Color Size: W x H x D Top Finish: PPP Color Selection Add NET Crating Charge Options 	Finishes A PPP Color CH Cherry LC Light Cherry HO Honey K Oak KS Medium Oak MA Natural Maple MM Mahogany LW Light Walnut W Walnut <i>See PPP Color Card or Web</i>	Frame Finishes RA Natural Anodized Aluminum RC PPP Color - Upcharge

Specifications

- Hinged, locking door, 1/4" thick tempered glass with polished edge. Door locks included.
- Adjustable shelving: 1/4" thick tempered glass.
- Bottom shelf: Black finish.
- Adjustable foot glides included.



PepperMint® Showcases

Model USZ • All Glass

Model USZ-B • Panel Base



USZ

Shown with Optional Plinth



USZ-B



Aluminum Circular Frame

Model	Size	Door Type	# of Shelves		[Z]	[B]	Upcharge PPP Color Frame	NET Crafting Charge	Est. Ship Weight
			USZ	USB					
USZ[?]A247218	24"w x 72"h x 18"d	1 hinged	4	3	\$5,994	\$6,312	\$600	\$420	223*
USZ[?]A247224	24"w x 72"h x 24"d	1 hinged	4	3	\$6,501	\$6,801	\$650	\$453	264*
USZ[?]A307218	30"w x 72"h x 18"d	2 hinged	4	3	\$7,662	\$7,956	\$766	\$453	259*
USZ[?]A307224	30"w x 72"h x 24"d	2 hinged	4	3	\$8,222	\$8,487	\$822	\$486	305*
USZ[?]A367218	36"w x 72"h x 18"d	2 hinged	4	3	\$8,113	\$8,402	\$811	\$483	294*
USZ[?]A367224	36"w x 72"h x 24"d	2 hinged	4	3	\$8,728	\$8,979	\$873	\$514	344*
USZ[?]A427218	42"w x 72"h x 18"d	2 hinged	4	3	\$8,576	\$8,849	\$858	\$510	329*
USZ[?]A427224	42"w x 72"h x 24"d	2 hinged	4	3	\$9,241	\$9,467	\$924	\$541	385*

Options

Plinth: 2'h, 4'h or 6'h. Black finish. *See page 91.*

Linear and recessed lighting. Requires 4'h or 6'h Plinth. *See page 92.*

Lockable Accessible Storage on Model PMS-B

\$388

Hardboard back panel - any PPP Color. Replaces Glass.

\$201

Shipped by Truck*

Top Detail



Aluminum (Z)

To Order Specify

- Quantity
- Model: USZ or USZ-B
- Frame Finish Code. Upcharge for PPP Color
- Size: W x H x D
- Panel Base: USZ-B only: PPP Color
- Add NET Crating Charge**
- Options**

Frame Finishes

- RA** Natural Anodized Aluminum
RC PPP Color - Upcharge

See PPP Color Card or Web

Specifications

- USZ model includes top and bottom door locks.
- Hinged, locking doors, 1/4" thick tempered glass with polished edges. Door locks included.
- Adjustable shelves: 1/4" thick tempered glass.
- USZ-B models feature 12" hardboard panel base available in any PPP Color.
- Bottom shelf finish: Black melamine.
- Adjustable foot glides included.





PepperMint® Showcases

Model ESZ • All Glass

Model ESZ-B • Panel Base



ESZ

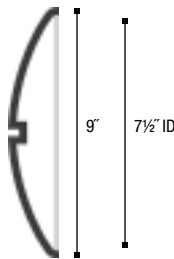


ESZ-B

Top Details



ESZ



Frame Finish
Natural Anodized Aluminum

Model	Size	Door Type	# of Shelves		All Glass	Panel Base [B]	NET Crafting Charge	Est. Ship Weight
			ESZ	ESB				
ESZ[?]A32609	32"w x 60"h x 9"d	2 hinged	3	2	\$5,801	\$5,167	\$410	207*
ESZ[?]A32729	32"w x 72"h x 9"d	2 hinged	4	3	\$6,420	\$6,172	\$448	241*
ESZ[?]A36609	36"w x 60"h x 9"d	2 hinged	3	2	\$6,036	\$5,375	\$424	225*
ESZ[?]A36729	36"w x 72"h x 9"d	2 hinged	4	3	\$6,692	\$6,419	\$448	262*
ESZ[?]A42609	42"w x 60"h x 9"d	2 hinged	3	2	\$6,380	\$5,801	\$453	253*
ESZ[?]A42729	42"w x 72"h x 9"d	2 hinged	4	3	\$7,088	\$6,778	\$486	295*

Options

Recessed Lighting available on ESZ & ESZ-B models. *See page 91-98.*

Upcharge PPP Color frame	15%
Hardboard back panel - any PPP Color. Replaces Glass.	\$201

*30" panel base models include one less shelf

Shipped by Truck*

To Order Specify									
<ol style="list-style-type: none"> Quantity Model: ESZ, ESZ-B Size: W x H x D Panel Base Finish: Model ESZ-B only Add NET Crating Charge Options 	<p>Finishes</p> <table> <tr> <td>A PPP Color</td> <td>MA Natural Maple</td> </tr> <tr> <td>CH Cherry</td> <td>MM Mahogany</td> </tr> <tr> <td>LC Light Cherry</td> <td>LW Light Walnut</td> </tr> <tr> <td>HO Honey</td> <td>W Walnut</td> </tr> </table> <p><i>See PPP Color Card or Web</i></p>	A PPP Color	MA Natural Maple	CH Cherry	MM Mahogany	LC Light Cherry	LW Light Walnut	HO Honey	W Walnut
A PPP Color	MA Natural Maple								
CH Cherry	MM Mahogany								
LC Light Cherry	LW Light Walnut								
HO Honey	W Walnut								

Specifications

- Hinged locking doors, 1/4" tempered glass with polished edges. Door locks included.
- ESZ models include top and bottom door locks.
- ESZ-B models feature 30" panel base, available in melamine wood finish or any PPP Color.
- Adjustable shelves in 2" increments, 1/4" thick tempered glass.
- Interior Depth: 7 3/4". Interior sides and bottom finish: Cool Grey melamine.
- Base: Black finish. Depth: 16". Width: width of case plus 5". Adjustable foot glides included.

©11/2024





PepperMint® Wall Mounted Showcases

Model ESW-Z

Model ESW-S with Lighting Soffit

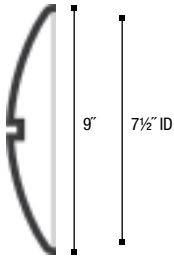


ESW-Z



ESW-S

With Recessed Lighting



Side Frame Finish
Natural Anodized Aluminum

Model	Size	Door Type	# of Shelves	# of Lights (ESWS Only)	[Z]	Lighting Included [S]	NET Crafting Charge	Est. Ship Weight
ESW[?]A24369	36"w x 24"h x 9"d	sliding	1	2	\$2,476	\$3,277	\$254	87*
ESW[?]A36369	36"w x 36"h x 9"d	sliding	2	2	\$3,123	\$3,926	\$337	121*
ESW[?]A42369	36"w x 42"h x 9"d	sliding	3	2	\$3,518	\$4,317	\$352	141*
ESW[?]A36489	48"w x 36"h x 9"d	sliding	2	3	\$3,958	\$4,973	\$383	157*
ESW[?]A42489	48"w x 42"h x 9"d	sliding	3	3	\$4,590	\$5,606	\$396	183*

Options

Recessed Lighting for Model ESW-S. See page 92.

Upcharge PPP Color frame 15%

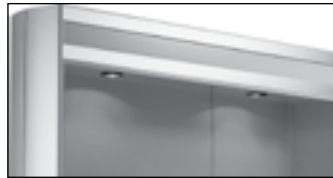
Shipped by Truck*

Top Details



ESW-Z

Soffit Details



ESW-S

To Order Specify

1. Quantity
2. Model: ESW-Z or ESW-S
3. Size: W x H x D
4. ESW-S Soffit: PPP Color
5. Back Panel: PPP Color
6. **Add NET Crating Charge**
7. **Options**

Specifications

- Model ESW-S features 6" lighting soffit. Includes recessed low voltage lighting. Soffit panel insert available in any PPP Color.
- Sliding locking doors, 5/32" tempered glass with polished edges. Door locks included.
- Adjustable shelving in 2" increments: 1/4" thick tempered glass, 3/8" thick non-tempered glass on 48" w models.
- Hardboard back panel in any PPP Color.
- Interior sides and bottom shelf finish: Cool Grey melamine. ESW-Z and ESW-S Top, 1/8" Cool Grey MDF.
- Wall mounting cleat/bracket and hardware included.



PepperMint® & MiniMint®

Wall Mounted Showcases

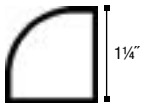
Models PMW & PMW-S with 4" Lighting Soffit
Models MMW & MMW-S with 4" Lighting Soffit



PMW



PMW-S
with 4" Lighting Soffit
Illustrated with optional
recessed lighting.



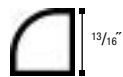
PMW Frame
Quarter Round



MMW



MMW-S
with 4" Lighting Soffit
Illustrated with optional
recessed lighting.



MMW Frame
Mini Quarter Round

PepperMint PMW & PMW-S				All Glass	Soffit [S]	Upcharge PPP Color Frame	NET Crafting Charge	Est. Ship Weight
Model	Size	Door Type	# of Shelves					
PMW[?]RA423612	42"w x 36"h x 12"d	sliding	2	\$4,036	\$4,774	\$404	\$374	157*
PMW[?]RA42429	42"w x 42"h x 9"d	sliding	2	\$4,245	\$4,965	\$424	\$374	152*
PMW[?]RA424212	42"w x 42"h x 12"d	sliding	2	\$4,516	\$5,255	\$452	\$391	180*
PMW[?]RA48429	48"w x 42"h x 9"d	sliding	3	\$5,006	\$5,770	\$501	\$396	187*
PMW[?]RA484212	48"w x 42"h x 12"d	sliding	3	\$5,425	\$6,200	\$542	\$415	218*

Options

Models PMW-S & MMW-S features 4" lighting soffit. For optional lighting systems, See page 92.

Shipped by Truck*

MiniMint MMW & MMW-S				All Glass	Soffit [S]	Upcharge PPP Color Frame	NET Crafting Charge	Est. Ship Weight
Model	Size	Door Type	# of Shelves					
MMW?RA30367	30"w x 36"h x 7"d	sliding	3	\$3,277	\$3,880	\$327	\$265	91*
MMW?RA36307	36"w x 30"h x 7"d	sliding	2	\$3,154	\$3,784	\$315	\$265	90*
MMW?RA36367	36"w x 36"h x 7"d	sliding	3	\$3,538	\$4,165	\$354	\$287	106*

Options

Models PMW-S & MMW-S features 4" lighting soffit. For optional lighting systems, See page 92.

Shipped by Truck*

To Order Specify

- Quantity
- Model: PMW, PMW-S, MMW or MMW-S
- Frame Finish Code. Upcharge for PPP Color
- Size: W x H x D
- Back Panel and/or Soffit: PPP Color
- Add NET Crating Charge
- Options

Frame Finishes

- RA** Natural Anodized Aluminum
RC PPP Color - Upcharge

See PPP Color Card or Web

Specifications

- Models PMW-S and MMW-S feature 4" soffit. Soffit panel insert in any PPP Color.
- Hardboard back panel: any PPP Color.
- Adjustable shelving: 1/4" thick tempered glass, 3/8" thick non-tempered glass on 48" w models.
- Sliding locking doors, 5/32" tempered glass with polished edges. Door locks included.
- Bottom shelf finish: Black melamine.
- Wall mounting cleat/bracket and hardware included.
- For recessed wall mounted showcases, please submit your requirements.





PETER PEPPER PRODUCTS
EXPRESSIVE ESSENTIALS®

**2025 PRICE
LIST**

PETER PEPPER PRODUCTS, INC.
6525 Flotilla St
Commerce CA 90040

T: 800 496 0204

W: www.peterpepper.com

E: customerservice@peterpepper.com