



PETER PEPPER PRODUCTS  
KYOTO SIDE TABLES

TABLES



# KYOTO

## TABLES

[PRICE LIST + SPECIFICATIONS](#)

February 04, 2026

All Prices are Suggested List Price



# KYOTO

## TABLES

### REVISIONS

02.04.26

Product Launch





# KYOTO

## TABLES

### TABLE OF CONTENTS

Product Details	4
Warranty, Terms and Conditions	5





## **FINISHES**



For other finish options, please contact Customer Service for pricing. Minimum quantities may apply.



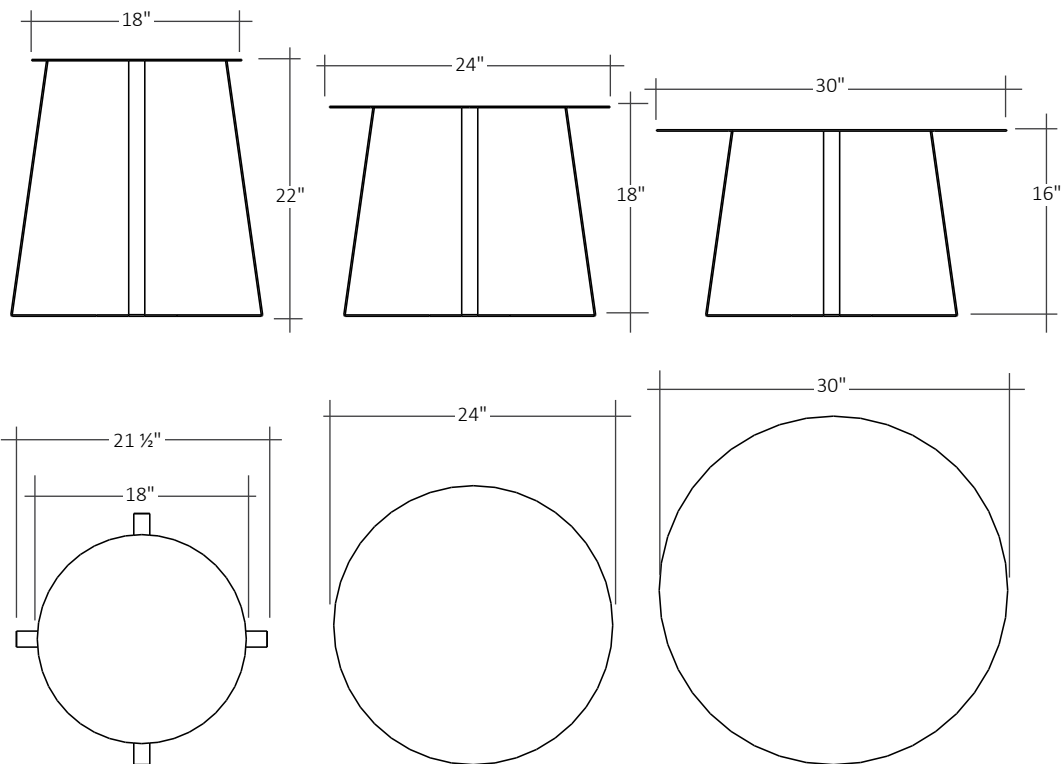


## PRICING



Model Number	Diameter	Height	PPP Color	SHIP WT
STL-KOTB-1818-22	18	22	\$815	21lb
STL-KOTB-2424-18	24	18	\$850	27lb
STL-KOTB-3030-16	30	16	\$1,150	38lb

- Manufactured and designed in Italy out of 100% post-consumer steel. Finished in California with mini-tex powdercoat.
- Specify powdercoat color by including RAL number for each sku on the PO. See page 4 for color information.
- Ships assembled via UPS.





**WARRANTY, TERMS + CONDITIONS**

**For current warranty, terms and conditions, please visit [peterpepper.com](http://peterpepper.com).**





**PETER PEPPER PRODUCTS**

Los Angeles Headquarters  
6525 Flotilla Street  
Commerce, CA 90040

323.264.2260  
[www.peterpepper.com](http://www.peterpepper.com)